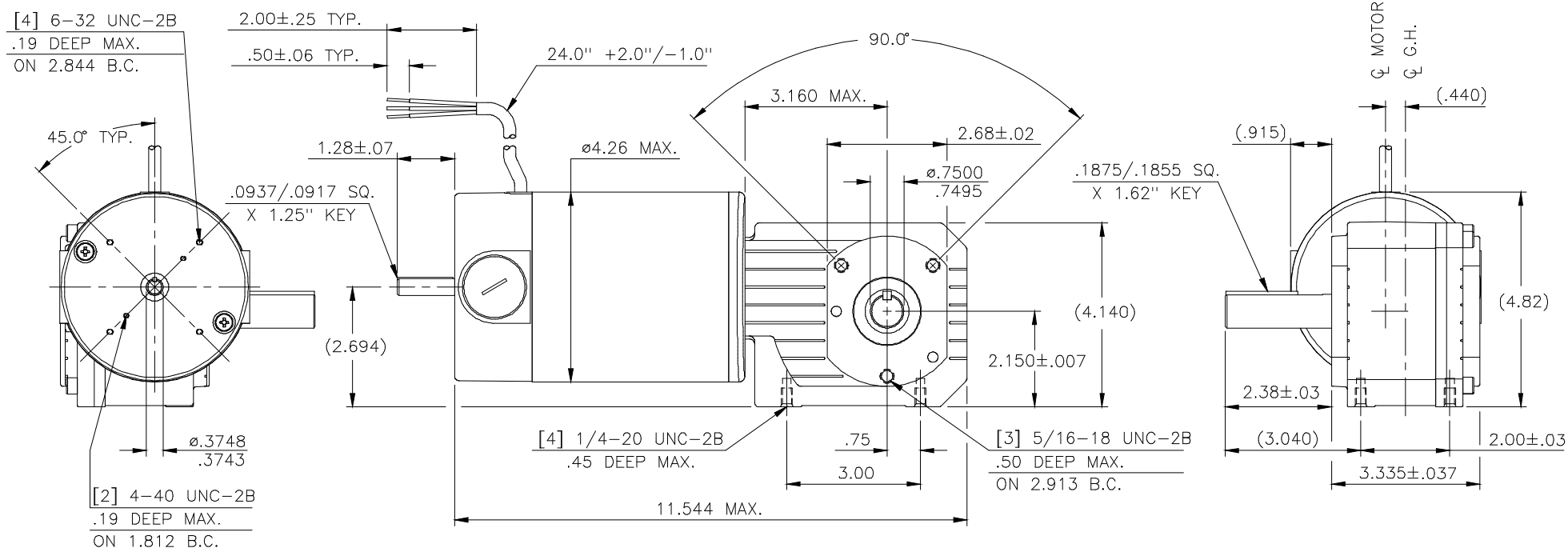


DESCRIPTION
GRMTR 42A5FPM-GB

SHEET: 1/1
UNLESS OTHERWISE SPECIFIED:
SCALE: 3:5
UNITS ARE IN INCHES [mm]
TOLERANCE: .XX:±.01 .XXX:±.005
C ANGLES: X':±3° X.X':±0.5°



REPRESENTATIVE OF MODEL NUMBER(S):
4460 4462 4464 4466 4860 4862 4864 4866