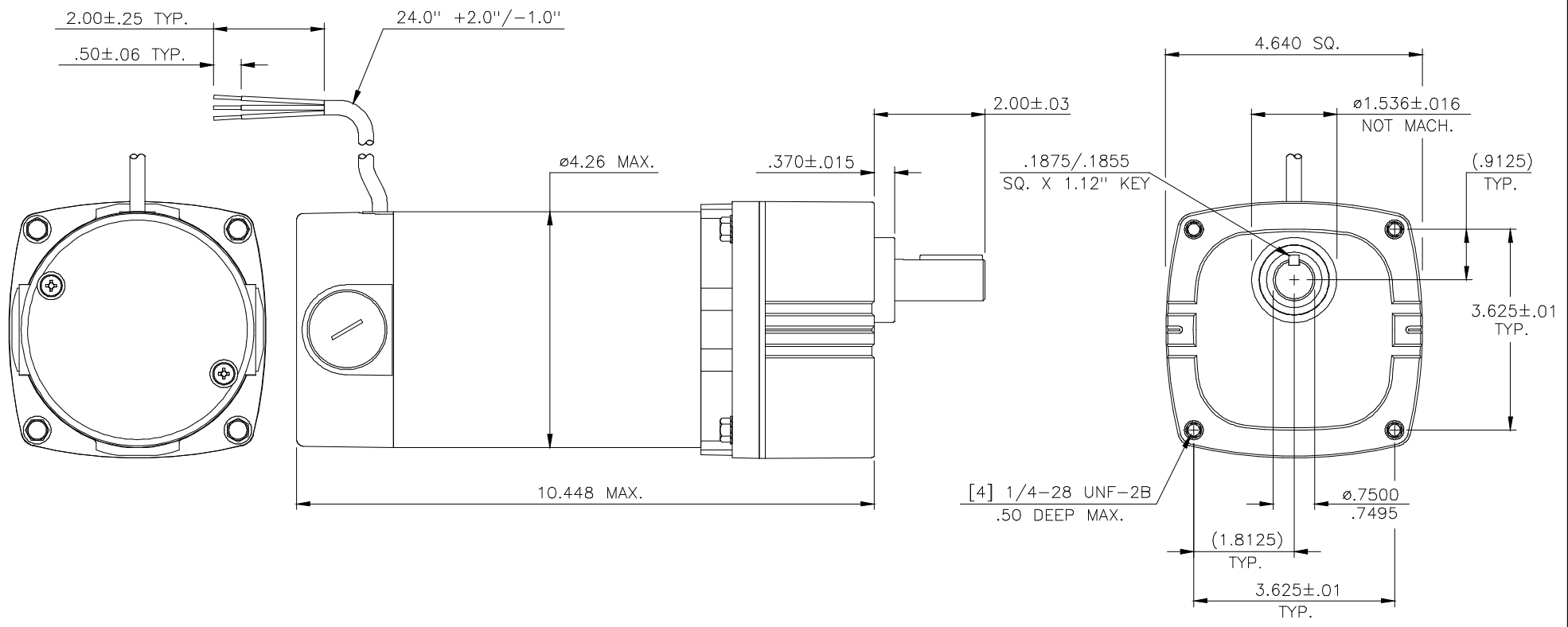


|             |  |
|-------------|--|
| DESCRIPTION | GRMTR 42A7BEPM-F   |
| SHEET:      | 1/1  |
| SCALE:      | 3:4  |
| C           | UNLESS OTHERWISE SPECIFIED:<br>UNITS ARE IN INCHES [mm]<br>TOLERANCE: .XX:±.01 .XXX:±.005<br>ANGLES: X':±3' X.X':±0.5' |



REPRESENTATIVE OF MODEL NUMBER(S):  
4190 4191 4192 4193 4678 4684