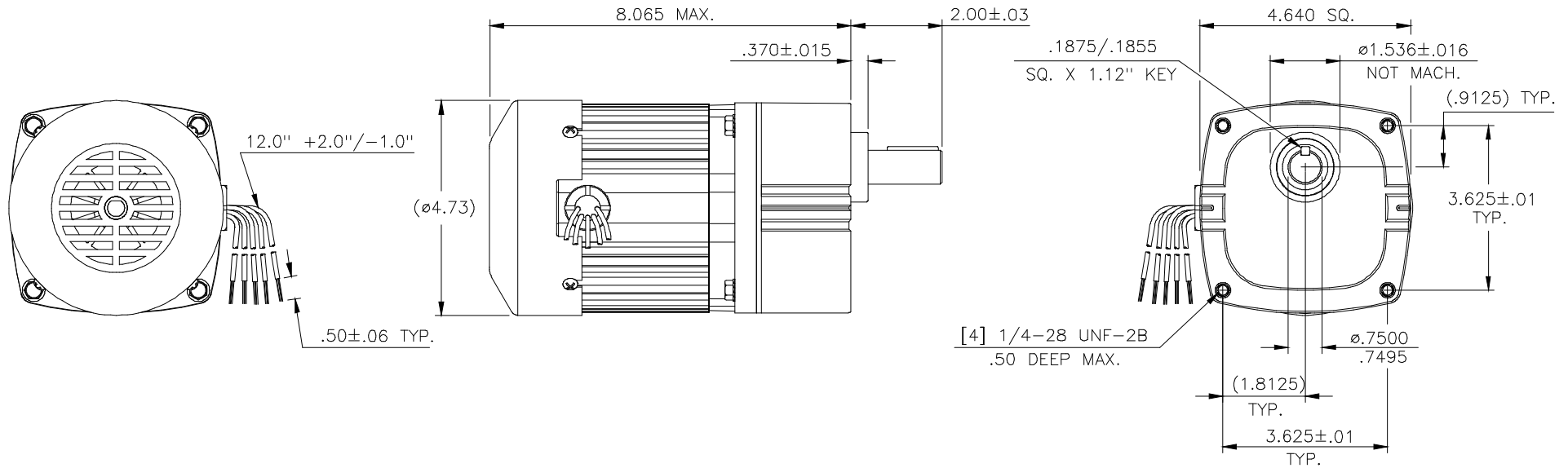


DESCRIPTION
GRMTR 42R3BFSI/CI-E

SHEET:	1/1	UNLESS OTHERWISE SPECIFIED:
SCALE:	3:5	UNITS ARE IN INCHES [mm]
		TOLERANCE: .XX:±.01 .XXX:±.005
	C	ANGLES: X':±3° X.X':±0.5°



REPRESENTATIVE OF MODEL NUMBER(S):
0635 0636 0637 0639 0668 0669 0671