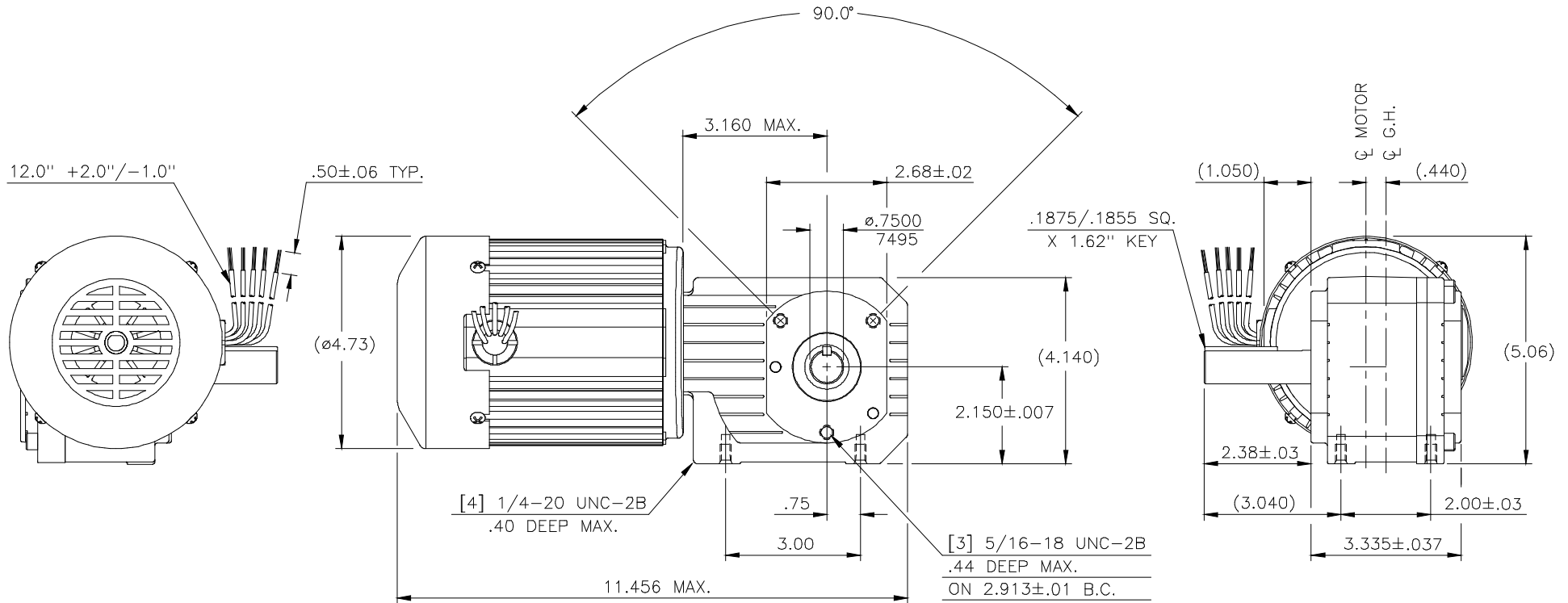


DESCRIPTION
GRMTR 42R5BFCI/PP-GB

| | | |
|--------|-----|------------------------------|
| SHEET: | 1/1 | UNLESS OTHERWISE SPECIFIED: |
| SCALE: | 3:5 | UNITS ARE IN INCHES [mm] |
| | | TOLERANCE: .XX±.01 .XXX±.005 |
| | C | ANGLES: X°±3° X.X°±0.5° |



REPRESENTATIVE OF MODEL NUMBER(S):

5260 5261 5262 5264 5266 5270 5271 5272 5274 5276