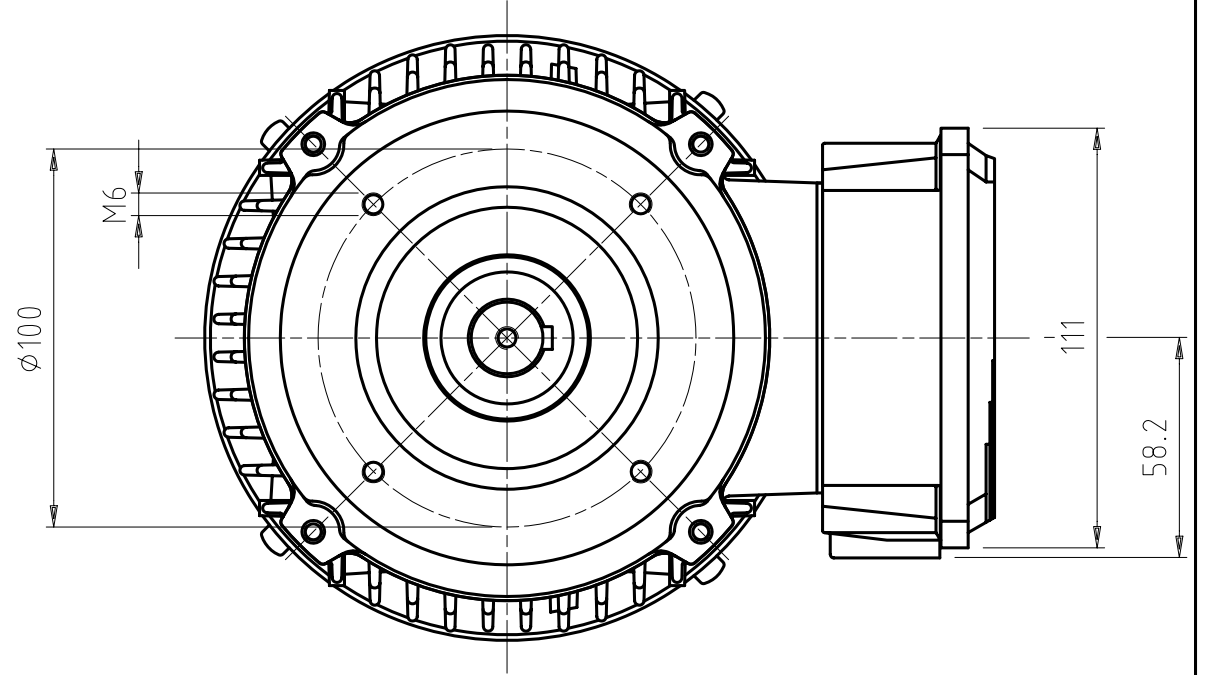
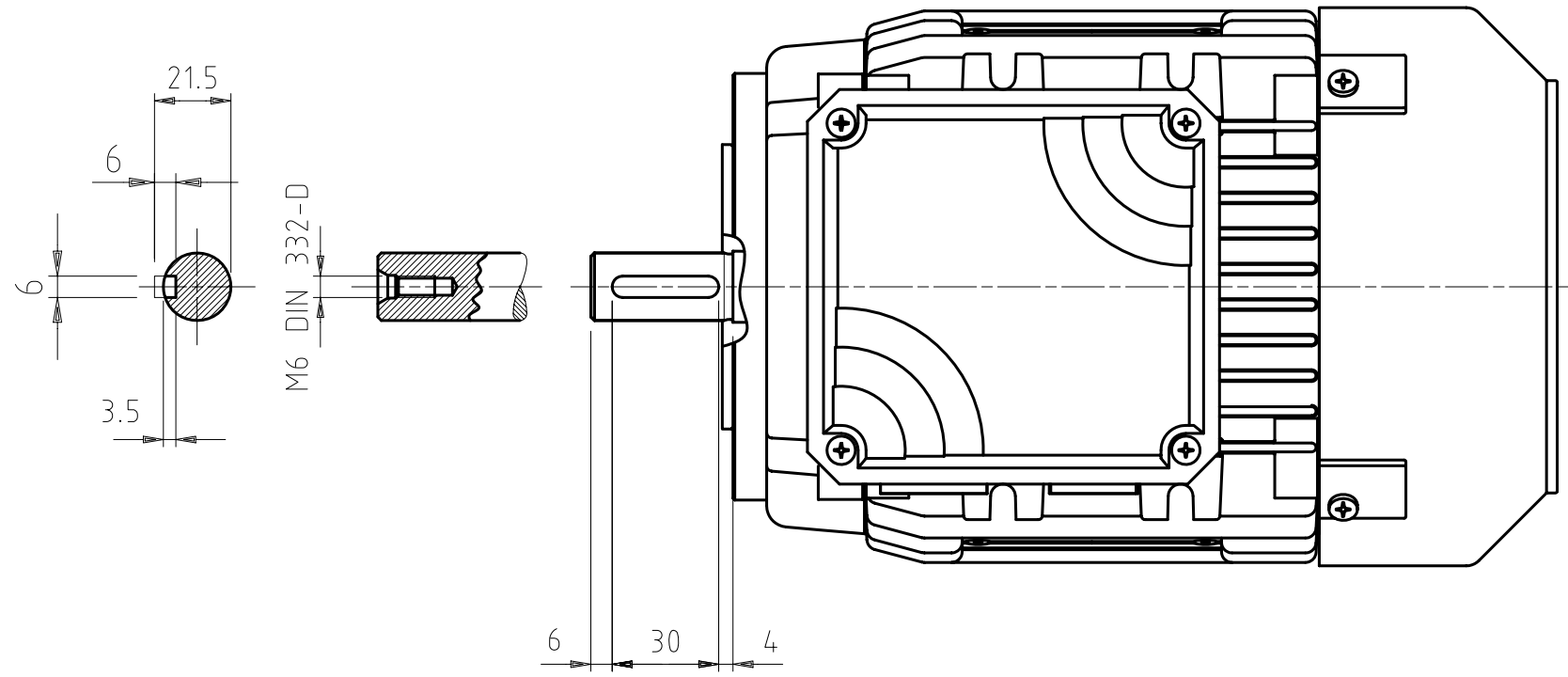


Reference		
kW/Hp	RPM	Catalog Number
0.75 / 1.00	3600	MVM5500C / MVM5500C-5
1.10 / 1.50	3600	MVM5600C / MVM5600C-5
0.55 / 0.75	1800	MVM5450C / MVM5450C-5
0.75 / 1.00	1800	MVM5550C / MVM5550C-5



DESCRIPTION: Three phase IEC frame D80C			
BALDOR	N. DWG: COM00085	REVISION: 02	DATE: 30/06/00