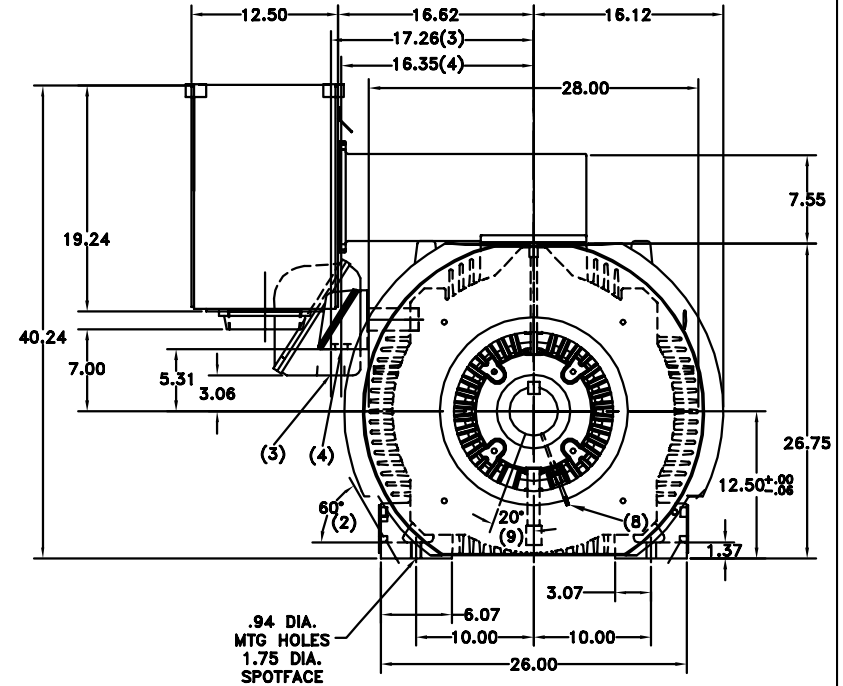
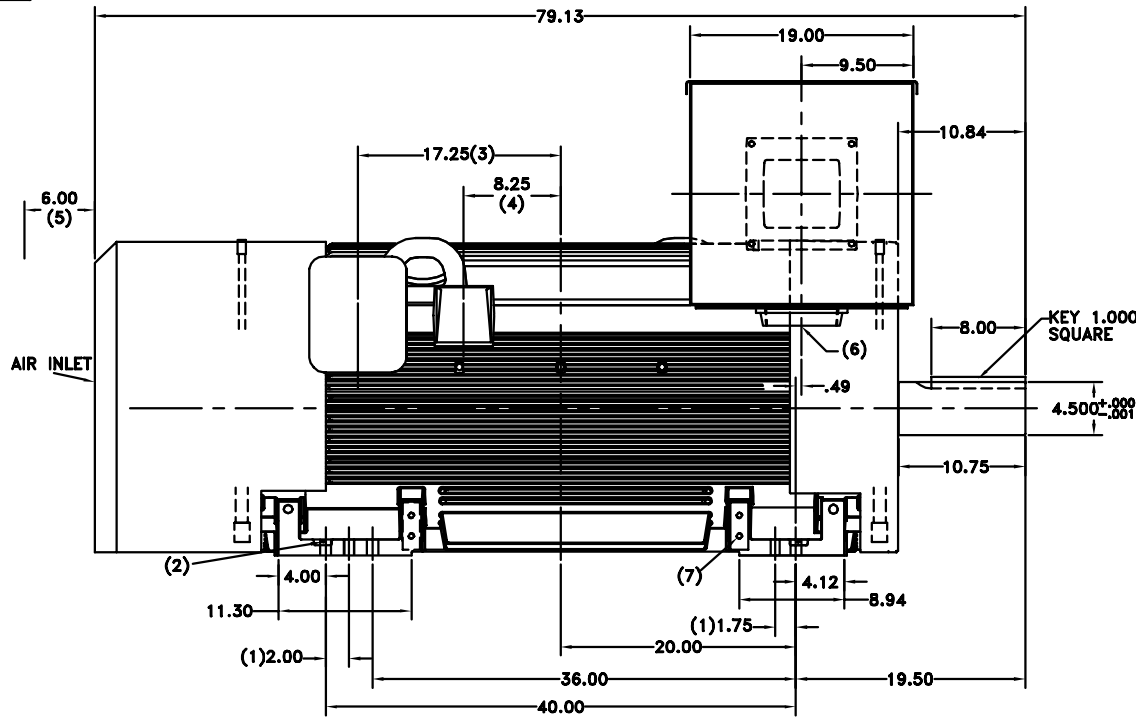


DUTY MASTER ALTERNATING CURRENT MOTORS

ENCLOSURE: TOTALLY ENCLOSED & XT
MOUNTING: FOOT

SQUIRREL-CAGE INDUCTION
1800 RPM MAX
FRAME G5012Y (BELTED DUTY)
INCLUDES 5011 FRAME MOUNTING HOLES

COOLING: FAN COOLED
ANTI-FRICTION BEARINGS
ENGLISH HARDWARE
OVERSIZE CONDUIT BOX



- 1) (4) 3/4-10 JACKSCREW HOLES.
- 2) 11/32 MM DOWEL PIN PILOT HOLES, 1 EACH FOOT.
- 3) 2.0" N.P.T. FOR WINDING TEMPERATURE DETECTOR LEADS.
- 4) 3/4" N.P.T. FOR MOTOR SPACE HEATER LEADS.
- 5) WALL OR OBSTRUCTION MUST NOT ENCROACH ON AIR INLET SPACE.
- 6) 6.0" N.P.T. FOR MOTOR POWER LEADS.
- 7) TWO GROUND PADS DIAGONALLY OPPOSITE EACH OTHER WITH TWO 1/2-13 TAPPED HOLES IN EACH.
- 8) DRIVE END GROUND PROBE.
- 9) 1/8" N.P.T. PROVISIONS FOR BEARING TEMPERATURE DETECTOR.

ALL DIMENSIONS ARE IN INCHES

CUSTOMER IS RESPONSIBLE FOR DETERMINING THAT BALDOR'S PRODUCT WILL PERFORM SUITABLY IN THE INTENDED APPLICATION.

CONDUIT BOX LOCATED ON OPPOSITE SIDE WHEN F-2 MOUNTING IS SPECIFIED. IF MOUNTING CLEARANCE DETAILS ARE REQUIRED, CONSULT FACTORY. MAXIMUM PERMISSIBLE SHAFT RUNOUT WHEN MEASURED AT END OF SHAFT IS .003 TIR. MAXIMUM WEIGHT = 6500 LBS.

REV. DESC: UPDTE NOTE 1&2 TO ENGLISH		
REV. LTR: A	VERSION: 01	TDR: 000000942163
FILE: \RSN\00030\215	REVISED: 09:55:11 09/02/2015	BY: RSNJEP
MTL: -		

BALDOR

G5012,TEFC,S/N,BLTD,1800,A/F,F1,19X19X12,U=4.500,XBA=19.50

SH 1 of 2