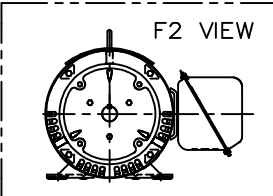
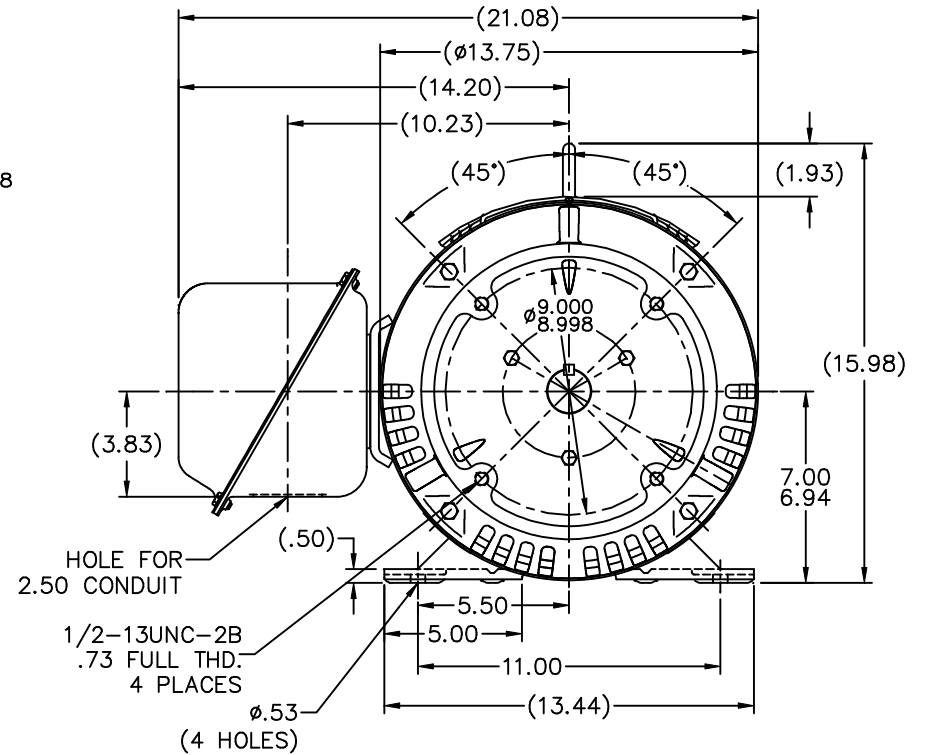


C'FACE DIMENSIONS  
TYPICAL BOTH ENDS



- NOTES:  
 1- CONDUIT BOX CAN BE ROTATED IN 90° STEPS.  
 2- NAMEPLATES TO BE READ FROM C'BOX SIDE OF MOTOR.

DASH	FRAME	C	AG	B	2F	BS
1298	284TSC	25.50	19.40	11.95	9.50	8.83
1448	286TSC	27.00	20.90	13.45	11.00	10.33

				TOLERANCES UNLESS SPECIFIED		MARATHON ELECTRIC	DRAWN DRS 10-16-2001				
				DEC.	INCHES		CHK	ML	10-16-2001		
				.X	±.1	TITLE OUTLINE - NEMA MOTORS 280TSC ODP STD. EFF -DBL. C'FACE	APPD	HNH	10-16-2001		
				.XX	±.03		SCALE	1=4.5			
				.XXX	±.005		REF	B-XF1D1CC4			
1	NEW DRAWING-REPLACES 3XSD120FCCF-1 MU39260			DRS	02-15-2002	MAT'L	FMF				
NO.	REVISION			CHK	ANG	FINISH	PREV				
THIS DRAWING IN DESIGN AND DETAIL IS OUR PROPERTY AND MUST NOT BE USED EXCEPT IN CONNECTION WITH OUR WORK ALL RIGHTS OF DESIGN AND INVENTION ARE RESERVED THIS IS AN ELECTRONICALLY GENERATED DOCUMENT - DO NOT SCALE THIS PRINT				RFP	10-16-2001	CAD FILE	xf1d1cc4	SIZE	DRAWING NO.	PAGE OF	REV.
				DIST	WA		B	XF1D1CC4	1		