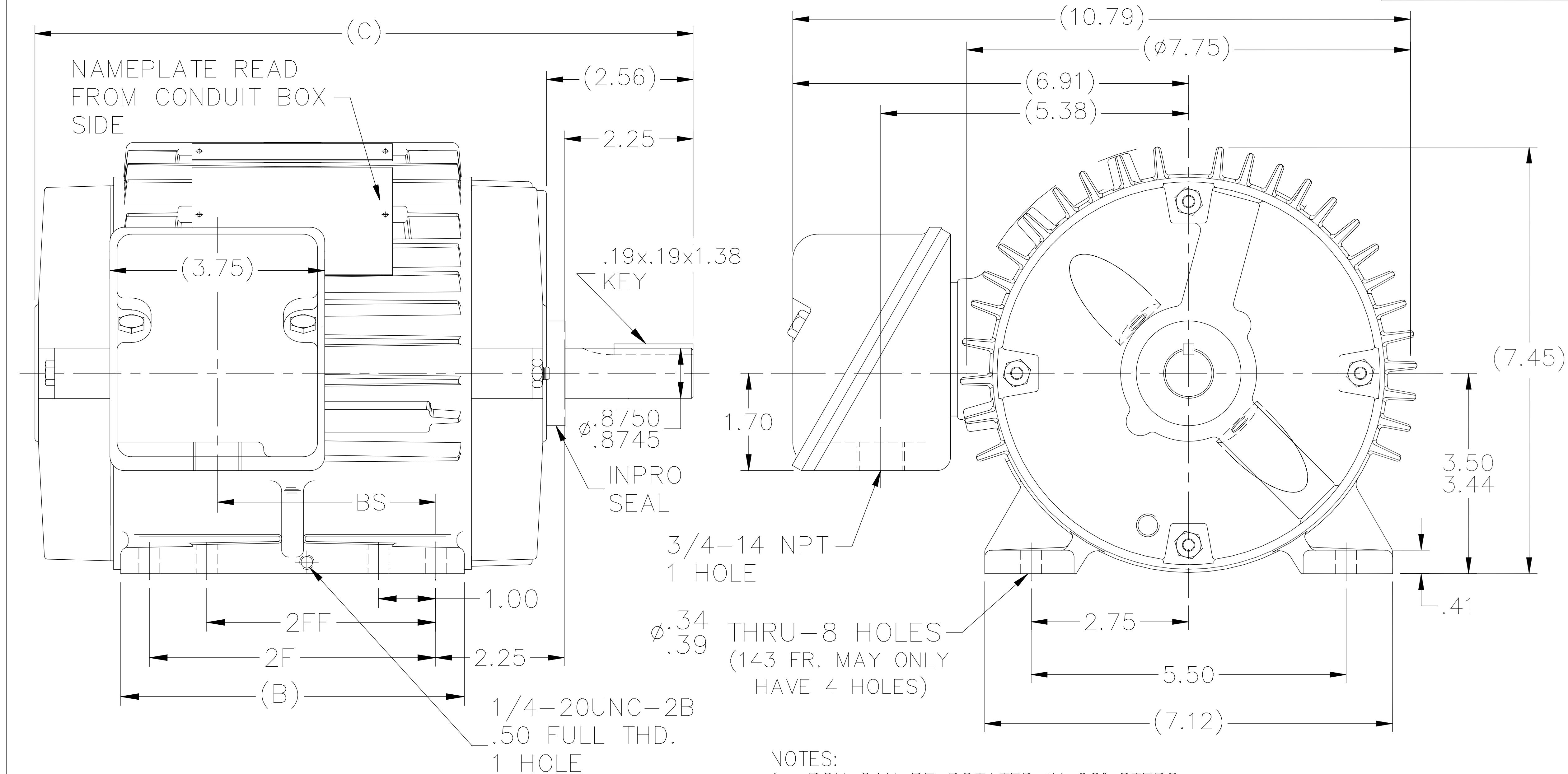


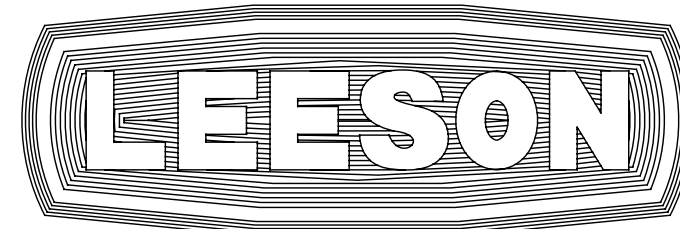
104326LE



- NOTES:  
 1- BOX CAN BE ROTATED IN 90° STEPS.  
 2- BOX CAN BE MOUNTED ON OPPOSITE SIDE BY REMOVING BRACKETS AND TURNING FRAME 180°.  
 3- FRONT GREASE HOLE LOCATIONS SHOWN WITH HIDDEN LINES.

DASH	FR.	B	C	BS	2F	2FF
525	143T	5.00	10.43	2.81	4.00	-
625	145T	6.00	11.43	3.81	5.00	4.00

ORACLE  
REV 001

				TOLERANCES UNLESS SPECIFIED		 ELECTRIC MOTORS GEARMOTORS AND DRIVES	DRAWN PGK 06-24-1997						
				DEC.	INCHES		CHK	ML	06-27-1997				
				.X	±.1	TITLE OUTLINE 140T FR. - BB - TS - TENV - INPRO SEAL MAT'L. FINISH	APPD	SAT	07-10-1997				
				.XX	±.03		SCALE	3=8					
				.XXX	±.005		REF						
				.XXXX	±.0005		FMF						
C	.50 FULL THREAD WAS .62 ECR 0077105			GWS 9/15/15			PREV						
NO.	REVISION			BY & DATE		CHK	ANG	±7'30"					
THIS DRAWING IN DESIGN AND DETAIL IS OUR PROPERTY AND MUST NOT BE USED EXCEPT IN CONNECTION WITH OUR WORK ALL RIGHTS OF DESIGN AND INVENTION ARE RESERVED THIS IS AN ELECTRONICALLY GENERATED DOCUMENT - DO NOT SCALE THIS PRINT				RFP	08-07-2007	CAD FILE	104326LE		SIZE	DRAWING NO.	PAGE	OF	REV.
				DIST	WP		A	104326LE				C	