

UNITS: INCHES

| FRAME SIZE | MOUNTING |     |      |      | CONDUIT BOX |     |     |     |     |     |     |
|------------|----------|-----|------|------|-------------|-----|-----|-----|-----|-----|-----|
|            | E        | 2F  | H    | BA   | AA          | AB  | AC  | AE  | AF  | XL  | XN  |
| 56         | 2.44     | 3.0 | 0.34 | 2.75 | 1.06        | 6.5 | 5.2 | 4.7 | 1.7 | 4.2 | 3.8 |
| 56H        | 2.44     | 5.0 | 0.34 | 2.75 | 1.06        | 6.5 | 5.2 | 4.7 | 1.7 | 4.2 | 3.8 |

| FRAME SIZE | MOTOR DIMENSIONS |     |      |      |      |     |      |     |     |
|------------|------------------|-----|------|------|------|-----|------|-----|-----|
|            | A                | B   | C    | D    | G    | J   | M    | O   | P   |
| 56/56H     | 6.9              | 5.9 | 13.9 | 3.50 | 0.28 | 1.8 | 5.02 | 7.5 | 8.0 |

| FRAME SIZE | SHAFT EXTENSION |      |       | KEY SEAT |       |      | BEARINGS |        | MAXIMUM WEIGHT |
|------------|-----------------|------|-------|----------|-------|------|----------|--------|----------------|
|            | N-W             | V    | U     | R        | S     | ES   | LS       | OS     |                |
| 56/56H     | 1.88            | 1.63 | 0.625 | 0.517    | 0.188 | 1.41 | 6205ZZ   | 6205ZZ | 55 lbs.        |

NOTES:

1. DIMENSION V REPRESENTS LENGTH OF STRAIGHT PART OF SHAFT.
2. CONDUIT BOX MAY BE ROTATED IN 90° INCREMENTS AND MAY BE MOUNTED ON OPPOSITE SIDE ON SPECIAL ORDER.
3. KEY DIMENSIONS EQUAL S x S x 1.38 (MOTOR SUPPLIED WITH KEY)
4. DIMENSIONS FOR 56 MOUNTING EQUAL (2F) LOCATED IN 56 SIDE VIEW.
5. MOTOR WEIGHT SHOWN IS MAXIMUM HORSEPOWER IN FRAME.

ALL DATA SUBJECT TO CHANGE WITHOUT NOTICE.  
FOR CONSTRUCTION USE ONLY CERTIFIED DATA.

CERTIFIED DATA

CUSTOMER: \_\_\_\_\_ P.O. NO.: \_\_\_\_\_ TAG NO.: \_\_\_\_\_

MOTOR MODEL NO.: **B0022FLF2AOZ** TOSHIBA FILE NO.: \_\_\_\_\_

HP: **2** RPM (SYN.): **3600** VOLTAGE: **230/460** Hz: **60**

FRAME SIZE: **56/56H** LOG NO.: \_\_\_\_\_ LOG REV. LEVEL: \_\_\_\_\_

REMARKS: \_\_\_\_\_

PER: \_\_\_\_\_ ISSUE DATE: \_\_\_\_\_ SUPERSEDES: \_\_\_\_\_

**TOSHIBA INTERNATIONAL CORPORATION**  
**Industrial Division / Houston Motor Plant**

**SQUIRREL CAGE INDUCTION MOTOR  
 PERFORMANCE SPECIFICATIONS**

|             |                   |
|-------------|-------------------|
| INDEX       | MPCF-1033         |
| SHEET NO.   | 1 of 1            |
| ISSUED      | 11/08/96          |
| SUPERSEDES  | 10/06/95          |
| REVISION    | 1                 |
| WRITTEN BY  | R. EVANS          |
| APPROVED BY | <i>Jay Bugbee</i> |

Customer Tag:

CUSTOMER:  
 TIC SR No.:  
 Customer PO:

**MOTOR NAMEPLATE DATA**

|                         |                |                 |    |                |
|-------------------------|----------------|-----------------|----|----------------|
| H.P.: 2                 | VOLTS: 230/460 | 3 Ø / 60        | Hz | S. RPM: 3600   |
| FRAME: 56/56H           | ENCL: TEFC     | FLAMPS: 5.2/2.6 |    | FLRPM: 3500    |
| FORM: FCK1              | S.F.: 1.15     | NEMA DESIGN: B  |    | INSUL CLASS: F |
| TYPE: IK                | AMB.: 40       | CODE: M         |    | DUTY: CONT.    |
| MODEL No.: B0022FLF2AOZ |                | kW:             |    | Serial No.:    |
| NOM. EFF.:              | MIN. EFF.: -   | P.F.:-          |    |                |

|                                     |  |  |
|-------------------------------------|--|--|
| <b>AMPERAGE</b><br>Locked Rotor: 50 | <b>TORQUES</b><br>FULL LOAD (lb-ft.): 3.01<br>LOCKED ROTOR (%): 310<br>BREAK DOWN (%): 370 | <b>** BEARINGS:</b><br>Drive End: 6205ZZ<br>Opposite Drive End: 6205ZZ |
|-------------------------------------|--|--|

|  |  |
|--|--|
| <b>EFFICIENCY (%)</b><br>FULL LOAD: 85.0<br>3/4 LOAD: 85.0<br>1/2 LOAD: 83.0 | <b>POWER FACTOR (%)</b><br>FULL LOAD: 86.0<br>3/4 LOAD: 80.5<br>1/2 LOAD: 70.5 |
|--|--|

ALL CHARACTERISTICS ARE AVERAGE EXPECTED VALUES BASED UPON RATED VOLTAGE, FREQUENCY AND SINEWAVE POWER INPUT.

\* TEMPERATURE RISE WILL BE CONSISTENT WITH INSULATION, AMBIENT AND SERVICE FACTOR AS DEFINED BY NEMA-MG-12.43 OR -20.40.

\*\* BEARINGS ARE THE ONLY RECOMMENDED SPARE PART(S).

**CERTIFIED BY:**  
**DATE:**

**TOSHIBA**

Reliability in Motion

**TOSHIBA INTERNATIONAL CORPORATION**

INDUSTRIAL DIVISION

PO BOX 40906

HOUSTON TX 77240

(713) 466-0277

(800) 231-1412

FAX (713) 466-8773

**SPARE PARTS (RECOMMENDED)**

OTHER THAN THE GREASE USED FOR RE-GREASABLE BEARINGS, **TOSHIBA** ADVISES THAT THERE ARE NO "USE" PARTS. THE ONLY INSURANCE SPARES THAT **TOSHIBA** SUGGESTS FOR THESE SQUIRREL CAGE INDUCTION MOTORS ARE INDUSTRY STANDARD, AND COMMERCIALY AVAILABLE ANTI-FRICTION BEARINGS, AS NOTED BELOW.

MOTOR COMPONENTS (SUCH AS TERMINAL BOXES, FAN COVERS, MACHINED PARTS) ARE AVAILABLE UPON SPECIAL REQUEST. IN THIS CASE, PLEASE ADVISE OUR ORDER ENTRY DEPARTMENT THE MODEL AND SERIAL NUMBERS (FOUND ON THE MOTOR NAMEPLATE) , AND A DESCRIPTION OF THE COMPONENT REQUIRED. THEY WILL THEN FURNISH THE CURRENT PART NUMBER, PRICE AND AVAILABILITY.

(NOTE: OUR INTERNAL PART NUMBERS ARE SUBJECT TO CHANGE WITHOUT NOTICE, AND ARE NOT PUBLISHED).

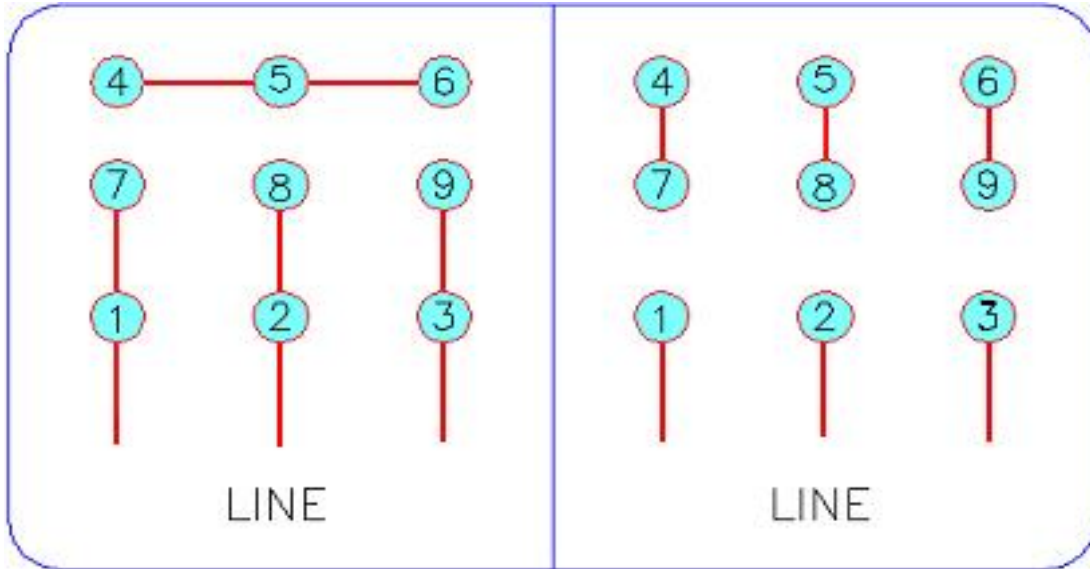
PLEASE ADVISE IF YOU HAVE ANY QUESTIONS.

CUSTOMER:  
PURCHASE ORDER #  
Customer Tag:

TOSHIBA FILE #  
MODEL # B0022FLF2AOZ  
HP / RPM / ENCL / FRAME: 2 / 3600 / TEFC / 56/56H  
DRIVE END BEARING: 6205ZZ  
OPPOSITE DRIVE END BEARING: 6205ZZ

**Prepared By:**  
**Date:**

|   |
|---|
| Three Phase Motor Wiring Diagram          |
| "Across the line" (Full Voltage) Starting |



|                              |  |
|------------------------------|--|
| Customer Name:               |  |
| PO No.:                      |  |
| Customer Tag:                |  |
| TIC File No.:                |  |
| Motor Model No. B0022FLF2AOZ |  |

For Further Information Regarding Toshiba motor starting, maintenance or wiring, Please refer to the "Toshiba - A Quality Product for World Energy" Installation and Maintenance Manual, or contact the Toshiba Low Voltage Motor Marketing Department. (800) 231-1412

Prepared By:   
Date: