

NOTES:

1. DIMENSION V REPRESENTS LENGTH OF STRAIGHT PART OF SHAFT
2. MAIN CONDUIT BOX MAY BE ROTATED IN 90° INCREMENTS
3. KEY DIMENSIONS EQUAL $S \times S \times 1.38$ (MOTOR SUPPLIED WITH KEY)
4. MOTOR WEIGHT SHOWN IS MAXIMUM HORSEPOWER IN FRAME
5. THIS DIMENSION EQUALS 2F FOR 143T MOUNTING
6. STANDARD PRODUCT USE BI-DIRECTIONAL FAN. OPPOSITE ROTATION AVAILABLE ONLY BY CONNECTION CHANGE

UNITS: INCHES

| FRAME SIZE | MOTOR DIMENSIONS | | | | | | | | | | | CONDUIT BOX | | | | | | |
|------------|------------------|-----|------|------|------|-----|---|-----|-----|-----|---|-------------|-----|-----|-----|-----|-----|-----|
| | A | B | C | D | G | J | K | M | O | P | T | AA | AB | AC | AE | AF | XL | XN |
| 143T/145T | 6.9 | 5.9 | 13.3 | 3.50 | 0.35 | 1.6 | 0 | 4.5 | 7.6 | 8.0 | 0 | 0.75 | 7.1 | 5.7 | 3.5 | 2.3 | 5.3 | 4.6 |

| FRAME SIZE | MOUNTING | | | SHAFT EXTENSION | | | KEY SEAT | | | BEARINGS | | MAXIMUM WEIGHT | |
|------------|----------|-----------|------|-----------------|------|------|----------|-------|-------|----------|--------|----------------|---------|
| | E | 2F | H | BA | N-W | V | U | R | S | ES | LS | | OS |
| 143T/145T | 2.75 | 4.00/5.00 | 0.34 | 2.25 | 2.25 | 2.00 | 0.875 | 0.771 | 0.188 | 1.41 | 6205ZZ | 6205ZZ | 60 lbs. |

CUSTOMER: _____ MOTOR MODEL NO.: B3/44FLF2AMH

P.O. NO.: _____ HP: 0.75 VOLTAGE: 230/460 RPM(SYN.): 1800 Hz: 60

FRAME SIZE: 143T PRODUCT TYPE: TEFC EQP III, EPACKT, & HIGH EFFICIENCY

COMMENTS: _____

TAG NO's.: _____

STANDARD (NO AUX. BOXES)

RTD AUX. BOX

SPACE HEATER AUX. BOX

BEARING RTD's

PER: _____ DATE: _____

TOSHIBA RESERVES THE RIGHT TO MAKE CHANGES OF TECHNICAL IMPROVEMENT AND THE DATA MAY CHANGE WITHOUT NOTICE PRELIMINARY

DO NOT USE FOR CONSTRUCTION, INSTALLATION, OR APPLICATION PURPOSES UNLESS THE DRAWING IS MARKED AS CERTIFIED CERTIFIED

TOSHIBA

TOSHIBA INTERNATIONAL CORPORATION

TOTALLY-ENCLOSED FAN-COOLED
HORIZONTAL FOOT-MOUNTED
3 PHASE INDUCTION MOTOR
F1 ASSEMBLY

XT SERIES

VISIT OUR WEBSITE AT:
www.toshiba.com/ind

TOSHIBA INTERNATIONAL CORPORATION
Industrial Division / Houston Motor Plant

**SQUIRREL CAGE INDUCTION MOTOR
 PERFORMANCE SPECIFICATIONS**

| | |
|-------------|-------------------|
| INDEX | MPCF-1033 |
| SHEET NO. | 1 of 1 |
| ISSUED | 11/08/96 |
| SUPERSEDES | 10/06/95 |
| REVISION | 1 |
| WRITTEN BY | R. EVANS |
| APPROVED BY | <i>Jay Bugbee</i> |

Customer Tag:

CUSTOMER:
 TIC SR No.:
 Customer PO:

MOTOR NAMEPLATE DATA

| | | | | |
|-------------------------|-----------------|-----------------|----|----------------|
| H.P.: 0.75 | VOLTS: 230/460 | 3 Ø / 60 | Hz | S. RPM: 1800 |
| FRAME: 143T | ENCL: TEFC | FLAMPS: 2.2/1.1 | | FLRPM: 1750 |
| FORM: FBK1 | S.F.: 1.15 | NEMA DESIGN: B | | INSUL CLASS: F |
| TYPE: IKH | AMB.: 40 | CODE: L | | DUTY: CONT. |
| MODEL No.: B3/44FLF2AMH | | kW: | | Serial No.: |
| NOM. EFF.: | MIN. EFF.: 82.5 | P.F.: 78.0 | | |

| | | |
|--------------------------------------|---|--|
| AMPERAGE Locked Rotor: 8.6 | TORQUES FULL LOAD (lb-ft.): 2 LOCKED ROTOR (%): 320 BREAK DOWN (%): 375 | ** BEARINGS: Drive End: 6205ZZ Opposite Drive End: 6205ZZ |
|--------------------------------------|---|--|

| | |
|--|--|
| EFFICIENCY (%) FULL LOAD: 85.5 3/4 LOAD: 84.5 1/2 LOAD: 80.9 | POWER FACTOR (%) FULL LOAD: 78.0 3/4 LOAD: 70.4 1/2 LOAD: 57.7 |
|--|--|

ALL CHARACTERISTICS ARE AVERAGE EXPECTED VALUES BASED UPON RATED VOLTAGE, FREQUENCY AND SINEWAVE POWER INPUT.

* TEMPERATURE RISE WILL BE CONSISTENT WITH INSULATION, AMBIENT AND SERVICE FACTOR AS DEFINED BY NEMA-MG-12.43 OR -20.40.

** BEARINGS ARE THE ONLY RECOMMENDED SPARE PART(S).

CERTIFIED BY:
DATE:

TOSHIBA

Reliability in Motion

TOSHIBA INTERNATIONAL CORPORATION

INDUSTRIAL DIVISION

PO BOX 40906

HOUSTON TX 77240

(713) 466-0277

(800) 231-1412

FAX (713) 466-8773

SPARE PARTS (RECOMMENDED)

OTHER THAN THE GREASE USED FOR RE-GREASABLE BEARINGS, **TOSHIBA** ADVISES THAT THERE ARE NO "USE" PARTS. THE ONLY INSURANCE SPARES THAT **TOSHIBA** SUGGESTS FOR THESE SQUIRREL CAGE INDUCTION MOTORS ARE INDUSTRY STANDARD, AND COMMERCIALY AVAILABLE ANTI-FRICTION BEARINGS, AS NOTED BELOW.

MOTOR COMPONENTS (SUCH AS TERMINAL BOXES, FAN COVERS, MACHINED PARTS) ARE AVAILABLE UPON SPECIAL REQUEST. IN THIS CASE, PLEASE ADVISE OUR ORDER ENTRY DEPARTMENT THE MODEL AND SERIAL NUMBERS (FOUND ON THE MOTOR NAMEPLATE) , AND A DESCRIPTION OF THE COMPONENT REQUIRED. THEY WILL THEN FURNISH THE CURRENT PART NUMBER, PRICE AND AVAILABILITY.

(NOTE: OUR INTERNAL PART NUMBERS ARE SUBJECT TO CHANGE WITHOUT NOTICE, AND ARE NOT PUBLISHED).

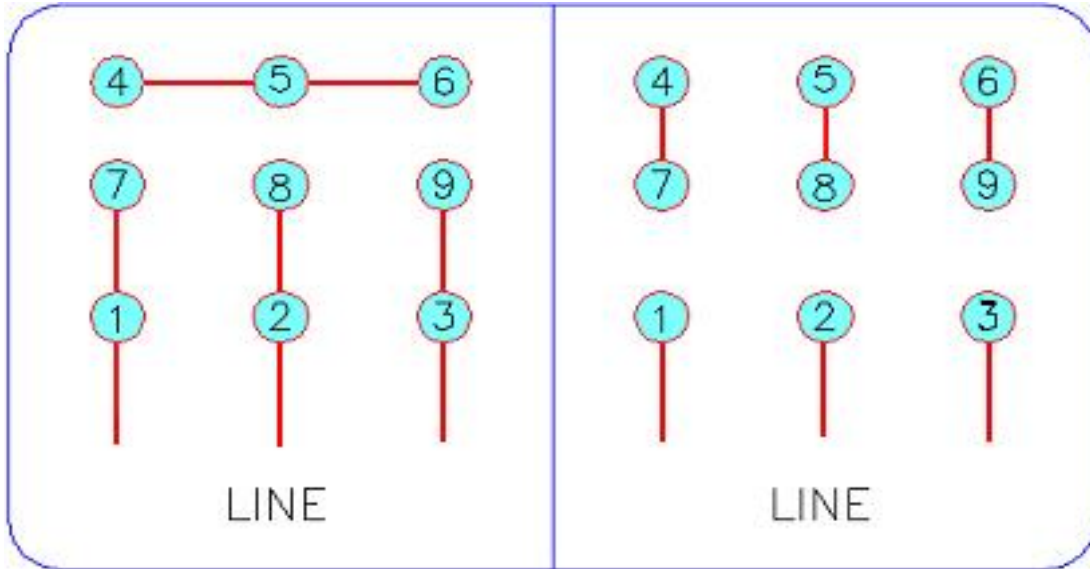
PLEASE ADVISE IF YOU HAVE ANY QUESTIONS.

CUSTOMER:
PURCHASE ORDER #
Customer Tag:

TOSHIBA FILE #
MODEL # B3/44FLF2AMH
HP / RPM / ENCL / FRAME: 0.75 / 1800 / TEFC / 143T
DRIVE END BEARING: 6205ZZ
OPPOSITE DRIVE END BEARING: 6205ZZ

Prepared By:
Date:

| |
|---|
| Three Phase Motor Wiring Diagram |
| "Across the line" (Full Voltage) Starting |



| | |
|------------------------------|--|
| Customer Name: | |
| PO No.: | |
| Customer Tag: | |
| TIC File No.: | |
| Motor Model No. B3/44FLF2AMH | |

For Further Information Regarding Toshiba motor starting, maintenance or wiring, Please refer to the "Toshiba - A Quality Product for World Energy" Installation and Maintenance Manual, or contact the Toshiba Low Voltage Motor Marketing Department. (800) 231-1412

Prepared By:
Date: