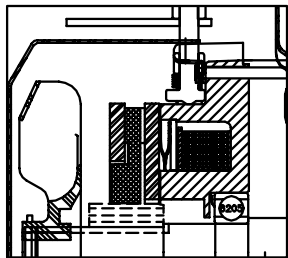
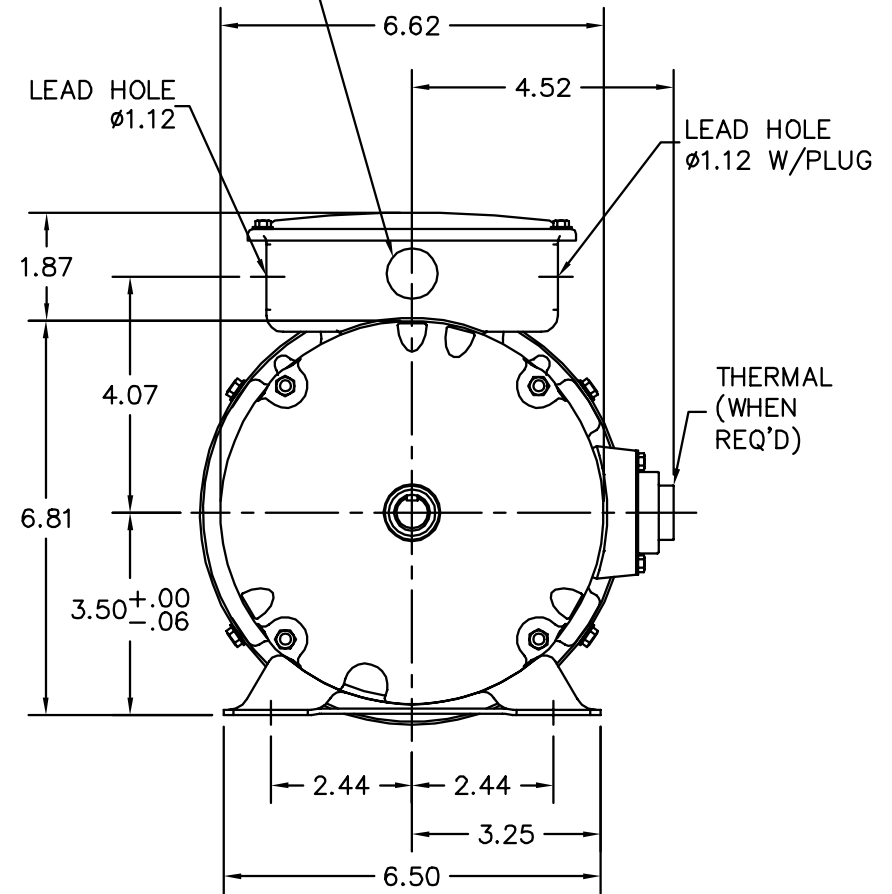
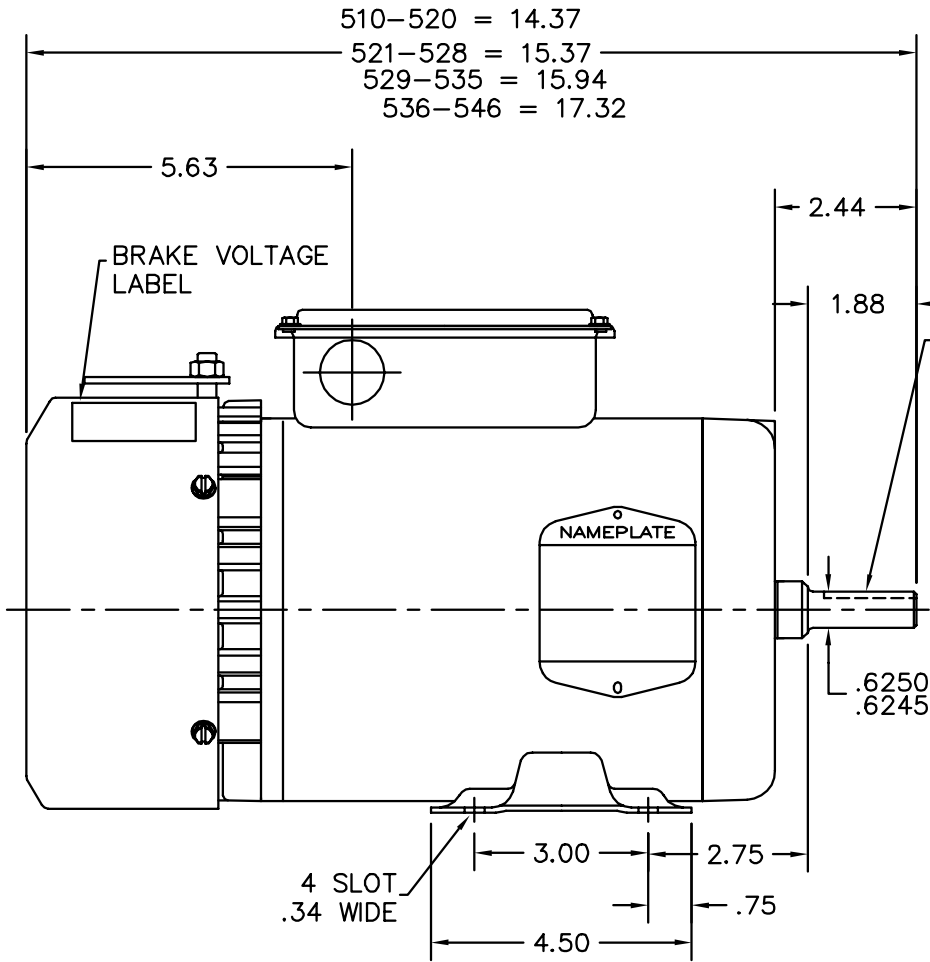


1 X ϕ .88 KNOCKOUT (PU. END)
 2 X ϕ .88 KNOCKOUTS (FR. END)



FRONT DETAIL VIEW

CUSTOMER IS RESPONSIBLE FOR DETERMINING THAT MOTOR PERFORMANCE IS SUITABLE IN THE APPLICATION.

REV. DESC: NEW

REV. LTR: -

VERSION: 00

TDR: 000000448538

BALDOR • DODGE • RELIANCE

35LYX053

FILE: \AAA\00152\697

REVISED: 15:19:50 12/03/2007

HOR 56 TEFC M F3 W/DODGE SHORT SERIES, W/35CB4007

MTL: -

BY: ENALEMO