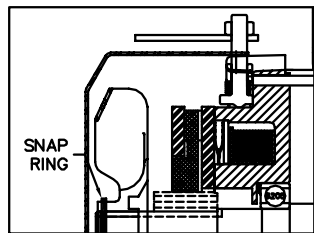
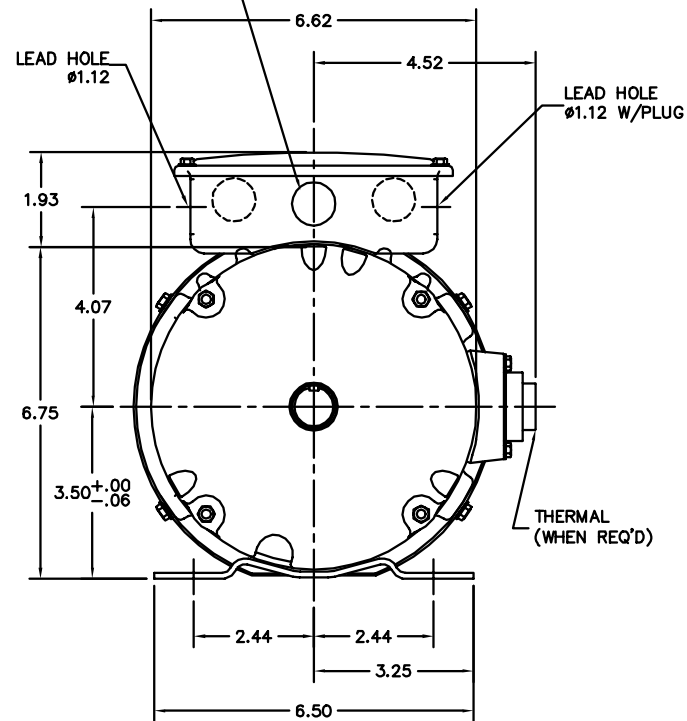


1 X Ø.88 KNOCKOUT (PU. END)  
 2 X Ø.88 KNOCKOUTS (FR. END)



FRONT DETAIL VIEW

CUSTOMER IS RESPONSIBLE FOR DETERMINING THAT MOTOR PERFORMANCE IS SUITABLE IN THE APPLICATION.

REV. DESC: NEW	VERSION: 00	TDR: 000000448542
REV. LTR: -	REVISED: 10:45:37 01/10/2008	BY: ENALEMO
FILE: \AAA\00153\650		
MTL: -		

**BALDOR • DODGE • RELIANCE**

HOR 143-5TY TEFC 35M F3 W/DODGE SSB BRAKE & 35CB4007