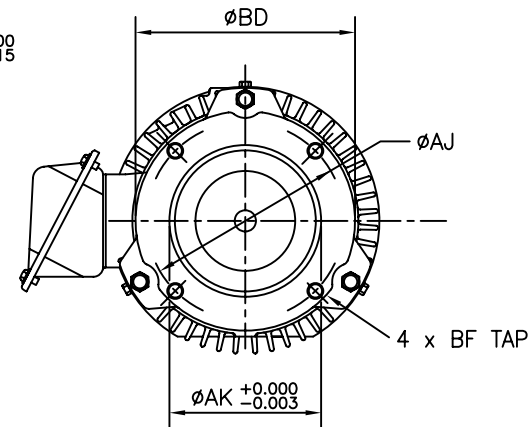
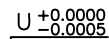
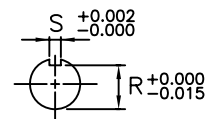
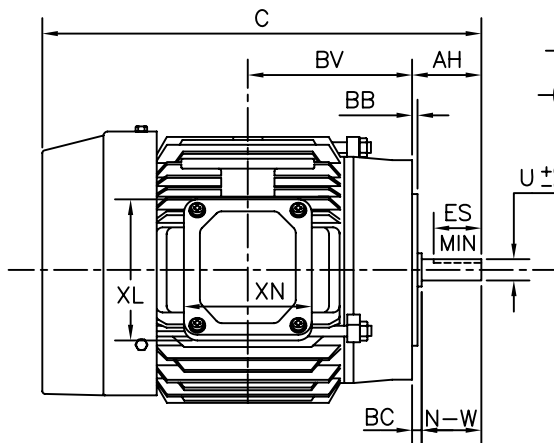
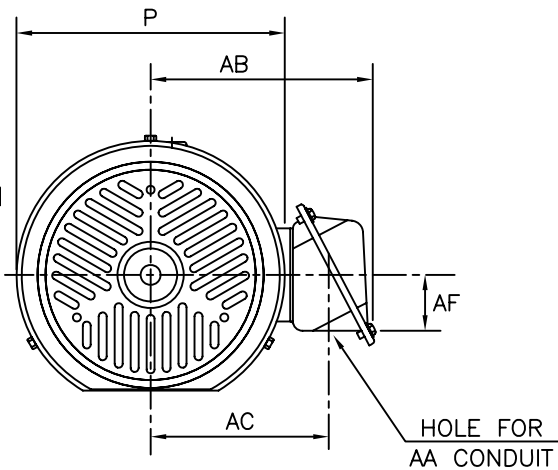


ROTATION
UNITS
BI-DIRECTIONAL
BY CONNECTION
CHANGE.



UNITS: INCHES

FRAME SIZE	FLANGE							
	AH	AJ	AK	BB	BC	BD	BF TAP	BV
56C	2.06	5.875	4.500	0.16	0.19	6.50	3/8"-16UNC	4.86

FRAME SIZE	MOTOR DIMENSIONS		CONDUIT BOX					
	C	P	AA	AB	AC	AF	XL	XN
56C	13.2	8.0	1.06	6.7	5.3	1.7	4.2	3.8

FRAME SIZE	SHAFT EXTENSION			KEY SEAT			BEARINGS		MAXIMUM WEIGHT
	N-W	V	U	R	S	ES	LS	OS	
56C	1.88	1.63	0.625	0.517	0.188	1.41	6205ZZ	6205ZZ	55 lbs.

NOTES:

1. DIMENSION V REPRESENTS LENGTH OF STRAIGHT PART OF SHAFT.
2. CONDUIT BOX MAY BE ROTATED IN 90° INCREMENTS AND MAY BE MOUNTED ON OPPOSITE SIDE ON SPECIAL ORDER.
3. KEY DIMENSIONS EQUAL S x S x 1.38 (MOTOR SUPPLIED WITH KEY)
4. MOTOR WEIGHT SHOWN IS MAXIMUM HORSEPOWER IN FRAME.

CERTIFIED DATA

ALL DATA SUBJECT TO CHANGE
WITHOUT NOTICE
FOR CONSTRUCTION USE ONLY
CERTIFIED DATA

CUSTOMER: _____ P.O. NO.: _____ TAG NO.: _____

MOTOR MODEL NO.: **BY152FLC200Z** TOSHIBA FILE NO.: _____

HP: **1.5** RPM (SYN.): **3600** VOLTAGE: **575** Hz: **60**

FRAME SIZE: **56C** LOG NO.: _____ LOG REV. LEVEL: _____

REMARKS: _____

PER: _____ ISSUE DATE: _____ SUPERSEDES: _____

TOSHIBA/HOUSTON

TOTALLY-ENCLOSED
FAN-COOLED
ROUND BODY
WITH C-FACE FLANGE
Fr. 56C

SL001108

TOSHIBA INTERNATIONAL CORPORATION
Industrial Division / Houston Motor Plant

**SQUIRREL CAGE INDUCTION MOTOR
 PERFORMANCE SPECIFICATIONS**

INDEX	MPCF-1033
SHEET NO.	1 of 1
ISSUED	11/08/96
SUPERSEDES	10/06/95
REVISION	1
WRITTEN BY	R. EVANS
APPROVED BY	<i>Jay Bugbee</i>

Customer Tag:

CUSTOMER:
 TIC SR No.:
 Customer PO:

MOTOR NAMEPLATE DATA

H.P.: 1.5	VOLTS: 575	3 Ø / 60	Hz	S. RPM: 3600
FRAME: 56C	ENCL: TEFC	FLAMPS: 1.6		FLRPM: 3500
FORM: FCK1	S.F.: 1.15	NEMA DESIGN: B		INSUL CLASS: F
TYPE: IK	AMB.: 40	CODE: L		DUTY: CONT.
MODEL No.: BY152FLC200Z		kW:		Serial No.:
NOM. EFF.:	MIN. EFF.: -	P.F.:-		

AMPERAGE Locked Rotor: 16	TORQUES FULL LOAD (lb-ft.): 2.25 LOCKED ROTOR (%): 310 BREAK DOWN (%): 370	** BEARINGS: Drive End: 6205ZZ Opposite Drive End: 6205ZZ
-------------------------------------	--	--

EFFICIENCY (%) FULL LOAD: 83.0 3/4 LOAD: 83.0 1/2 LOAD: 80.5	POWER FACTOR (%) FULL LOAD: 87.0 3/4 LOAD: 82.0 1/2 LOAD: 72.5
--	--

ALL CHARACTERISTICS ARE AVERAGE EXPECTED VALUES BASED UPON RATED VOLTAGE, FREQUENCY AND SINEWAVE POWER INPUT.

* TEMPERATURE RISE WILL BE CONSISTENT WITH INSULATION, AMBIENT AND SERVICE FACTOR AS DEFINED BY NEMA-MG-12.43 OR -20.40.

** BEARINGS ARE THE ONLY RECOMMENDED SPARE PART(S).

CERTIFIED BY:
DATE:

TOSHIBA

Reliability in Motion

TOSHIBA INTERNATIONAL CORPORATION

INDUSTRIAL DIVISION

PO BOX 40906

HOUSTON TX 77240

(713) 466-0277

(800) 231-1412

FAX (713) 466-8773

SPARE PARTS (RECOMMENDED)

OTHER THAN THE GREASE USED FOR RE-GREASABLE BEARINGS, **TOSHIBA** ADVISES THAT THERE ARE NO "USE" PARTS. THE ONLY INSURANCE SPARES THAT **TOSHIBA** SUGGESTS FOR THESE SQUIRREL CAGE INDUCTION MOTORS ARE INDUSTRY STANDARD, AND COMMERCIALY AVAILABLE ANTI-FRICTION BEARINGS, AS NOTED BELOW.

MOTOR COMPONENTS (SUCH AS TERMINAL BOXES, FAN COVERS, MACHINED PARTS) ARE AVAILABLE UPON SPECIAL REQUEST. IN THIS CASE, PLEASE ADVISE OUR ORDER ENTRY DEPARTMENT THE MODEL AND SERIAL NUMBERS (FOUND ON THE MOTOR NAMEPLATE) , AND A DESCRIPTION OF THE COMPONENT REQUIRED. THEY WILL THEN FURNISH THE CURRENT PART NUMBER, PRICE AND AVAILABILITY.

(NOTE: OUR INTERNAL PART NUMBERS ARE SUBJECT TO CHANGE WITHOUT NOTICE, AND ARE NOT PUBLISHED).

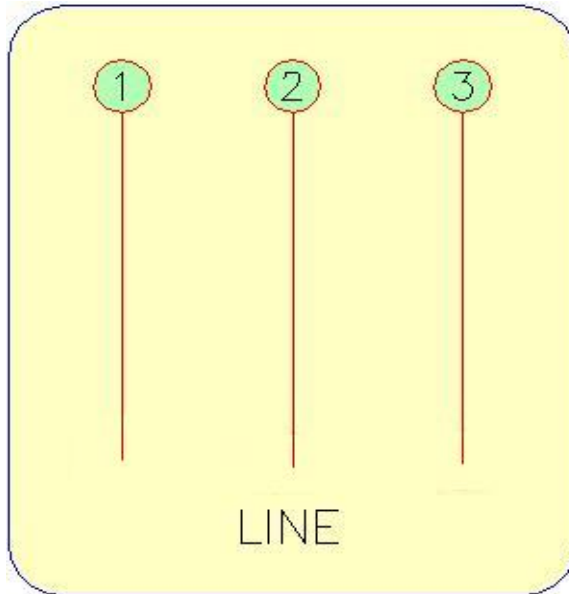
PLEASE ADVISE IF YOU HAVE ANY QUESTIONS.

CUSTOMER:
PURCHASE ORDER #
Customer Tag:

TOSHIBA FILE #
MODEL # BY152FLC2OOZ
HP / RPM / ENCL / FRAME: 1.5 / 3600 / TEFC / 56C
DRIVE END BEARING: 6205ZZ
OPPOSITE DRIVE END BEARING: 6205ZZ

Prepared By:
Date:

Three Phase Motor Wiring Diagram
"Across the line" (Full Voltage) Starting



Customer Name:	
PO No.:	
Customer Tag:	
TIC File No.:	
Motor Model No.	BY152FLC2OOZ

For Further Information Regarding Toshiba motor starting, maintenance or wiring,
Please refer to the "Toshiba - A Quality Product for World Energy" Installation and
Maintenance Manual, or contact the Toshiba Low Voltage Motor Marketing Department.
(800) 231-1412

Prepared By:
Date: