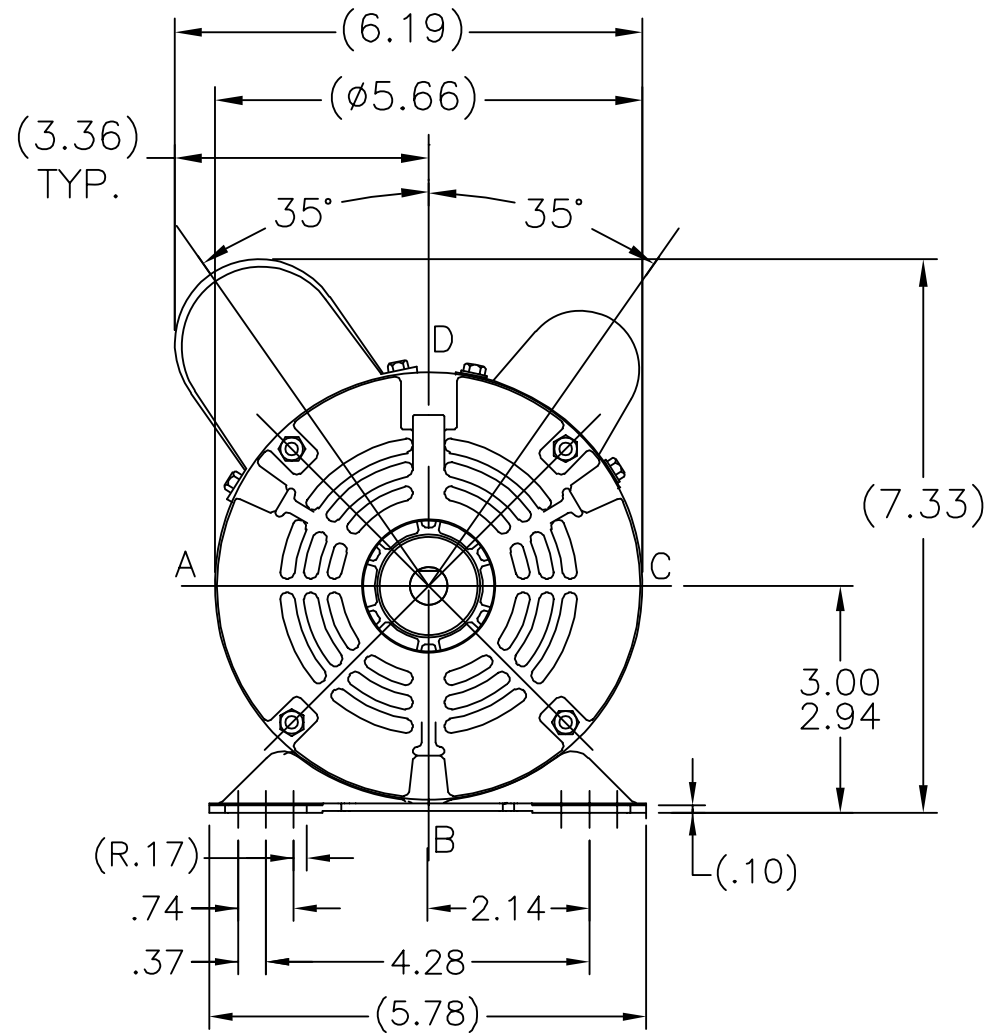
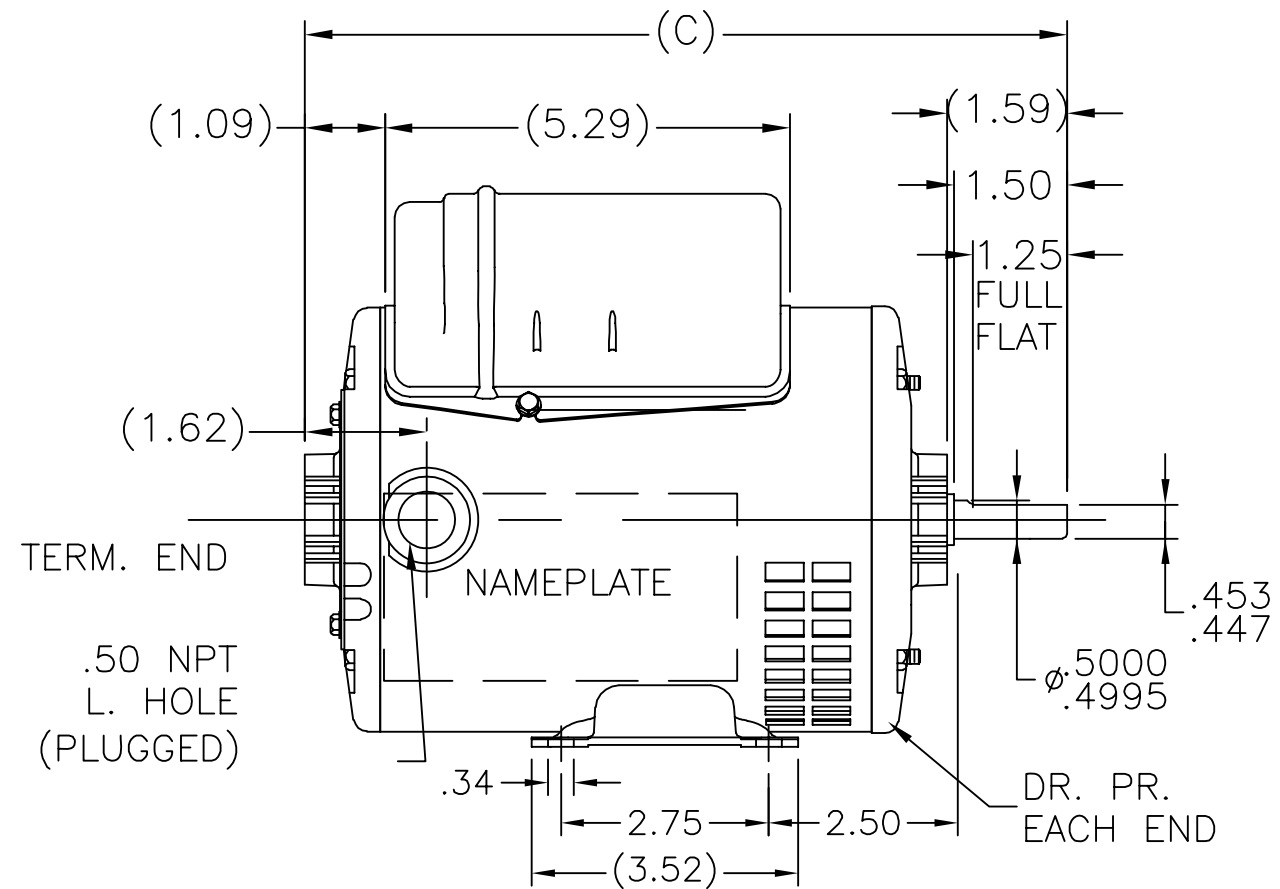



SS404113



DASH	FR	C	DASH	FR	C
625	48	9.84	725	48	10.84
650	48	10.09	750	48	11.09
675	48	10.34	775	48	11.34
700	48	10.59	800	48	11.59

		TOLERANCES UNLESS SPECIFIED		 <b>REGAL-BELOIT CORPORATION</b>		DRAWN JAH 11/19/2014		
		DEC.	INCHES			CHK SM 11/19/2014		
		.X	±.1	TITLE OUTLINE 48 FRAME		APPD		
		.XX	±.03			SCALE 1:1		
		.XXX	±.005			REF 606-0004		
A	CREATED NEW DRAWING	JAH	11/19/2014	SM	.XXXX	±.0005	MAT'L.	FMF 048B34D1102
NO.	REVISION	BY & DATE	CHK	ANG	±7'30"		FINISH	PREV
THIS DRAWING IN DESIGN AND DETAIL IS OUR PROPERTY AND MUST NOT BE USED EXCEPT IN CONNECTION WITH OUR WORK ALL RIGHTS OF DESIGN AND INVENTION ARE RESERVED THIS IS AN ELECTRONICALLY GENERATED DOCUMENT - DO NOT SCALE THIS PRINT				RFP	CAD FILE SS404113		SIZE	DRAWING NO. PAGE 1 OF 1 REV.
				DIST	WP		A	SS404113 A