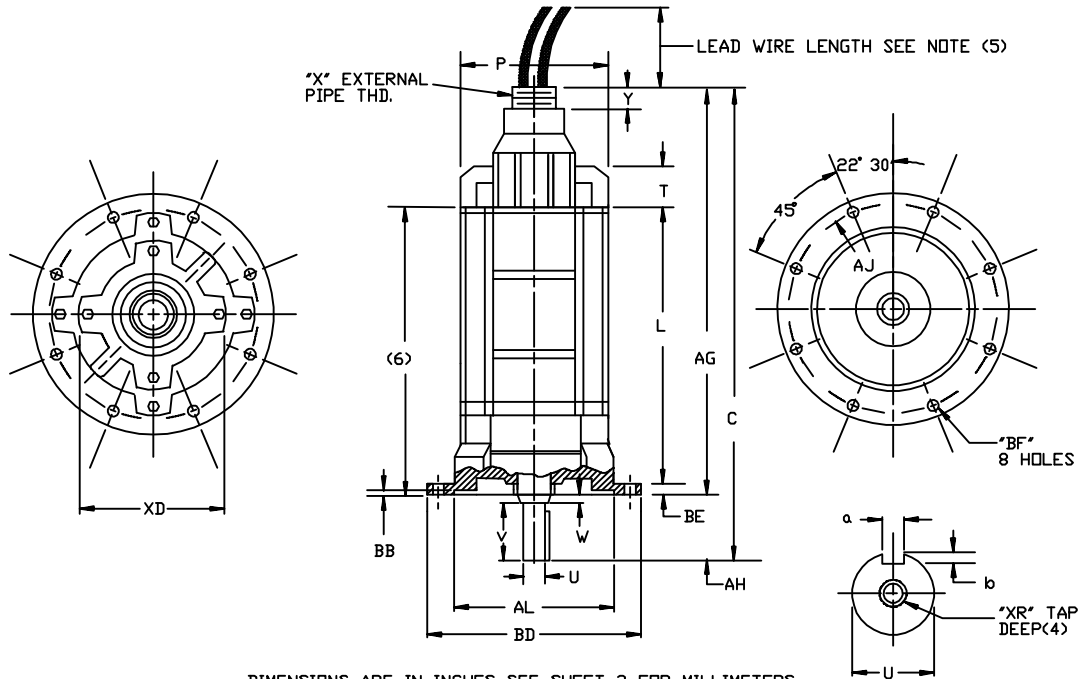


DUTY MASTER ALTERNATING CURRENT MOTORS

SQUIRREL-CAGE INDUCTION
ENCLOSURE: TOTALLY ENCLOSED
SUBMERSIBLE
FRAME 140TY THRU 180TY



DIMENSIONS ARE IN INCHES SEE SHEET 2 FOR MILLIMETERS

FRAME	C	L	P	T	UK(3)	V	W	AG	AH	AJ	AL(7)
140TY	25.44	15.38	8.00	2.25	.8750	1.25	.31	23.88	1.59	10.00	9.125
180TY	26.66	16.50	9.62	2.25	1.2500	2.00	.28	24.38	2.28	11.50	10.625

(1)

FRAME	BD(2)	BE	BF	XR(4)	LEAD CONNECTION			B.E. KEYWAY				
					X	Y	XD	BB	a	b	LENGTH	WEIGHT
140TY	11.062	.75	.44	3/8-16	2-1/2-8	1.25	5.50	.12	.187	.09	1.25	160
180TY	12.375	.75	.56	1/2-13	2-1/2-8	1.25	6.75	.12	.250	.12	1.12	200

(1)

(1) SPECIAL DIMENSIONS ON THIS LINE.

(2) *BD* VARIES ± .010.

(3) *U* VARIES +.0000, -.0005.

(4) TAP DEPTH ON 140TY IS .88; 180TY IS 1.38

(5) LEAD WIRE LENGTH AS SPECIFIED ON CERTIFICATION

(6) MINIMUM SUBMERGED DEPTH.

(7) *AL* VARIES +.004, -.000.

FACE RUNOUT AND ECCENTRICITY .008 MAX. T.I.R.
PROTECTIVE CONDUIT FURNISHED BY CUSTOMER.

CUSTOMER IS RESPONSIBLE FOR DETERMINING THAT BALDOR'S PRODUCT WILL PERFORM SUITABLY IN THE INTENDED APPLICATION.

BALDOR

DIM SHT 140TY THRU 180TY

SH 1 of 2

REV. DESC: LOAD TO BUS
REV. LTR: -
M.T.L: -

TDR: 000000584587

REVISED: 09:20:20 03/04/2011

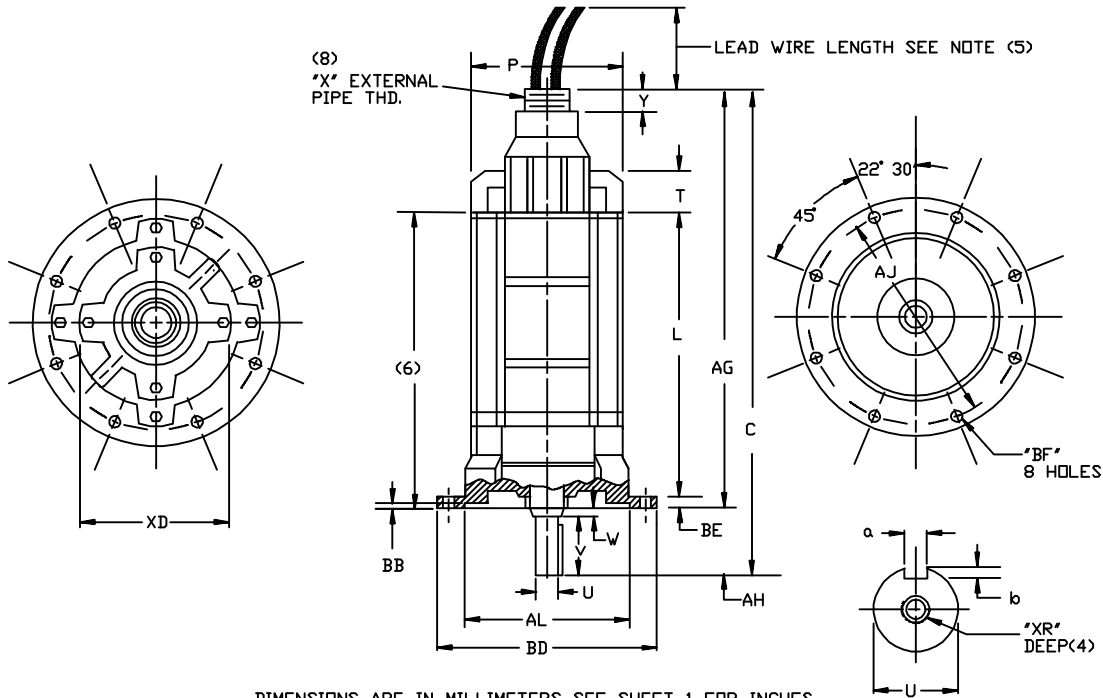
BY: RGGWT

VERSION: 00

FILE: \RGG\00016\668

DUTY MASTER ALTERNATING CURRENT MOTORS

SQUIRREL-CAGE INDUCTION
ENCLOSURE: TOTALLY ENCLOSED
SUBMERSIBLE
FRAME 140TY THRU 180TY



DIMENSIONS ARE IN MILLIMETERS SEE SHEET 1 FOR INCHES

FRAME	C	L	P	T	UK(3)	V	W	AG	AH	AJ	AL(7)
140TY	646.2	390.7	203.2	57.1	22.225	31.7	7.9	606.6	40.4	254.0	231.77
180TY	677.2	419.1	244.3	57.1	31.750	50.8	7.1	619.3	57.9	292.1	269.88

(1)

FRAME	BD(2)	BE	BF	XR(4),(8)	LEAD CONNECTION			BB	KEYWAY		(KG) WEIGHT
					X(8)	Y	XD		a	b	
140TY	280.97	19.0	11.2	3/8-16	2-1/2-8	31.7	139.7	3.0	4.75	2.3	72.7
180TY	314.32	19.0	14.2	1/2-13	2-1/2-8	31.7	171.5	3.0	6.35	3.0	90.9

(1)

- (1) SPECIAL DIMENSIONS ON THIS LINE.
- (2) "BD" VARIES ± .25
- (3) "U" VARIES +.000, -.013
- (4) TAP DEPTH ON 140TY IS 22.3 MM; 180TY IS 35 MM.
- (5) LEAD WIRE LENGTH AS SPECIFIED ON CERTIFICATION
- (6) MINIMUM SUBMERGED DEPTH.
- (7) "AL" VARIES +.10, -.000.
- (8) THREAD DIMENSIONS IN INCHES

FACE RUNDOUT AND ECCENTRICITY .20 MAX. T.I.R.
PROTECTIVE CONDUIT FURNISHED BY CUSTOMER.

CUSTOMER IS RESPONSIBLE FOR DETERMINING THAT BALDOR'S PRODUCT WILL PERFORM SUITABLY IN THE INTENDED APPLICATION.

BALDOR

DIM SHT 140TY THRU 180TY

SH 2 of 2

TDR: 000000584587

REVISED: 09:20:20 03/04/2011

BY: RGGWT

VERSION: 00

REV. DESC: LOAD TO BUS

REV. LTR: -
FILE: \RGG\00016\668

MTL: -