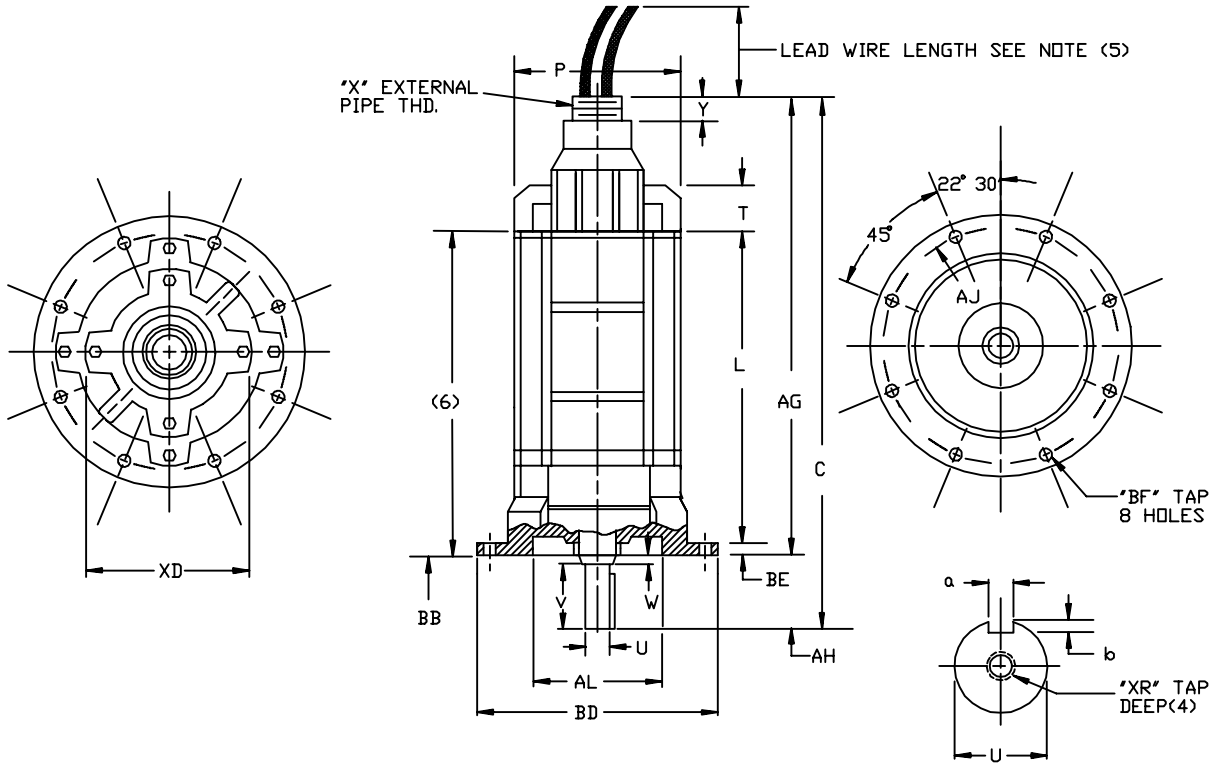


DUTY MASTER ALTERNATING CURRENT MOTORS

SQUIRREL-CAGE INDUCTION
ENCLOSURE: TOTALLY ENCLOSED
SUBMERSIBLE

FRAME 210TY



DIMENSIONS ARE IN INCHES SEE SHEET 2 FOR MILLIMETERS

FRAME	C	L	P	T	U(3)	V	W	AG	AH	AJ	AL(7)
210TY	32.41	21.12	11.50	2.25	1.250	2.00	.28	30.12	2.28	11.50	10.625
(1)											

FRAME	BD(2)	BE	BF	XR(4)	LEAD CONNECTION			BB	B.E. KEYWAY			WEIGHT LBS.
					X	Y	XD		a	b	LENGTH	
210TY	12.38	.75	.56	1/2-13	2-1/2-8	1.25	7.75	.12	.250	.12	1.12	315
(1)												

(1) SPECIAL DIMENSIONS ON THIS LINE.

(2) "BD" VARIES ± .010

(3) "U" VARIES +.0000, -.0005

(4) TAP DEPTH ON 210TY IS 1.38

(5) LEAD WIRE LENGTH AS SPECIFIED ON SALES ORDER

(6) MINIMUM SUBMERGED DEPTH.

(7) "AL" VARIES +.004, -.000.

FACE RUNOUT AND ECCENTRICITY .008 MAX. T.I.R.
PROTECTIVE CONDUIT FURNISHED BY CUSTOMER.

FRAME-_____ TYPE-_____ CERTIFIED FOR-_____
ORDER-_____ ITEM-_____ HP-_____ RPM-_____ PH-_____ HZ-_____ VOLTS-_____
RELIANCE SALES ORDER-_____ APPROVED BY-_____ DATE-_____

**RELIANCE
ELECTRIC** 
CLEVELAND, OHIO 44117 U.S.A.

DR. BY _____
CK. BY _____
APP. BY _____
DATE 7-15-70

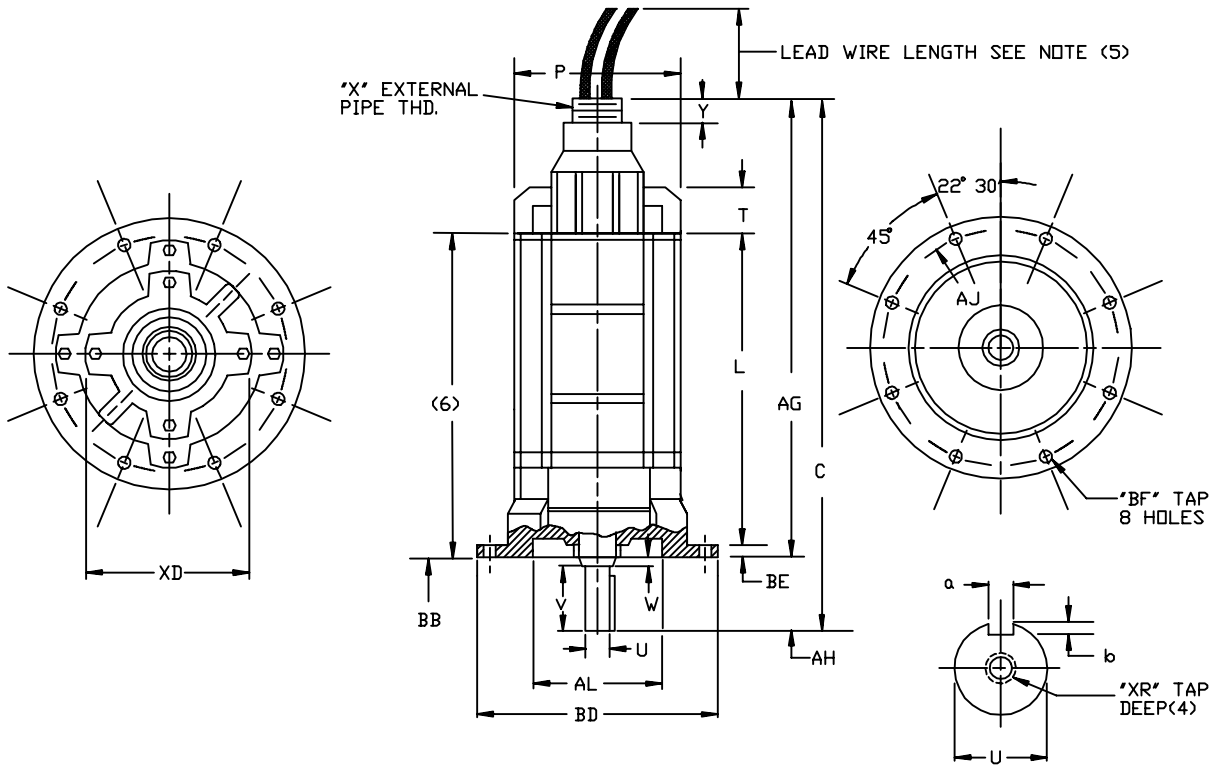
**DIMENSION
SHEET**
SHEET 1 OF 2

66930-21
ISSUE DATE: MAY 11, 2000

DUTY MASTER ALTERNATING CURRENT MOTORS

SQUIRREL-CAGE INDUCTION
ENCLOSURE: TOTALLY ENCLOSED
SUBMERSIBLE

FRAME 210TY



DIMENSIONS ARE IN MILLIMETERS SEE SHEET 1 FOR INCHES

FRAME	C	L	P	T	U(3)	V	W	AG	AH	AJ	AL(7)
210TY	823.2	536.4	292.1	57.2	31.75	50.8	7.1	765.0	57.9	292.1	269.88
(1)											

FRAME	BD(2)	BE	BF	XR (4)(8)	LEAD CONNECTION				KEYWAY		WEIGHT KGS.
					X (8)	Y	XD	BB	a	b	
210TY	314.45	19.1	14.2	1/2-13	2-1/2-8	31.8	196.9	3.0	6.35	3.0	143
(1)											

(1) SPECIAL DIMENSIONS ON THIS LINE.

(2) "BD" VARIES $\pm .25$

(3) "U" VARIES $+0.00, -.013$

(4) TAP DEPTH ON 210TY IS 35.1 MM

(5) LEAD WIRE LENGTH AS SPECIFIED ON SALES ORDER

(6) MINIMUM SUBMERGED DEPTH.

(7) "AL" VARIES $+10, -.00$

(8) DIMENSIONS ARE IN INCHES.

FACE RUNOUT AND ECCENTRICITY .20 MAX. T.I.R.
PROTECTIVE CONDUIT FURNISHED BY CUSTOMER.

FRAME-_____ TYPE-_____ CERTIFIED FOR-_____
ORDER-_____ ITEM-_____ HP-_____ RPM-_____ PH-_____ HZ-_____ VOLTS-_____
RELIANCE SALES ORDER-_____ APPROVED BY-_____ DATE _____

RELIANCE
ELECTRIC
CLEVELAND, OHIO 44117 U.S.A.

DR. BY B.CHRISTIAN
CK. BY C.P.WILLBY
APP. BY J.H.PONTZER
DATE 4-2-98

DIMENSION
SHEET
SHEET 2 OF 2

66930-21
ISSUE DATE: MAY 11, 2000