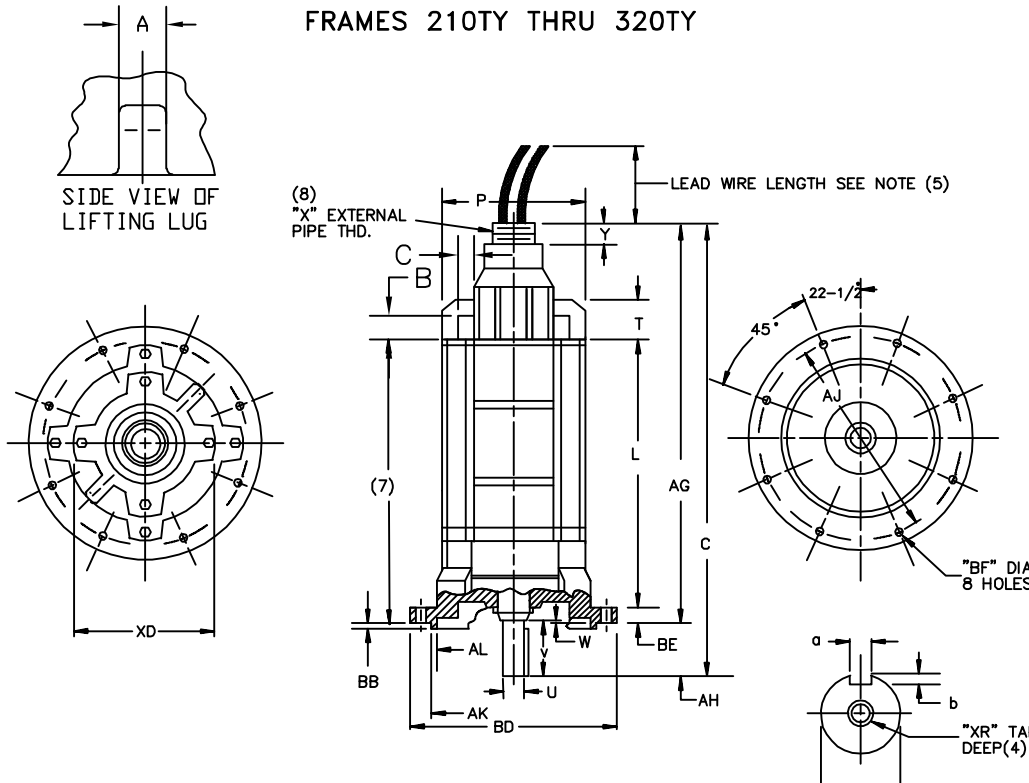


DUTY MASTER ALTERNATING CURRENT MOTORS

SQUIRREL-CAGE INDUCTION
ENCLOSURE: TOTALLY ENCLOSED
SUBMERSIBLE

FRAMES 210TY THRU 320TY



DIMENSIONS ARE IN MILLIMETERS. SEE SHEET 1 FOR INCHES.

FRAME	C	L	P	T	U(3)	V	W	AG	AH	AJ	AK (6)	AL	LIFTING LUG DIMENSIONS		
													A	B	C
210TY	804.9	536.4	292.1	57.1	36.525	50.8	11.2	765.0	39.6	358.6	333.38	304.8	22.3	38.1	44.4
250TY	978.7	612.6	323.8	88.9	44.45	84.1	7.1	901.7	77.0	406.4	381.00	355.6	19.0	57.1	53.8
320TY	1095.2	627.1	400.0	108.0	63.50	81.0	53.8	960.4	134.9	438.1	406.40	387.3	31.7	57.1	38.1

FRAME	BD(2)	BE	BF	XR(4,9)	LEAD CONNECTION			XD	BB	KEYWAY		WEIGHT (KG)
					X (8,9)	Y				a	b	
210TY	387.35	19.0	14.2	5/8-11	2-1/2-8	31.7	196.8	6.4	9.52	4.8	143	
250TY	431.80	22.4	17.5	5/8-11	2-1/2-8	31.7	196.8	6.4	9.52	4.8	340	
320TY	476.25	22.4	17.5	3/4-10	3-8	31.7	276.4	6.4	12.70	6.4	521	

- (1) SPECIAL DIMENSIONS ON THIS LINE.
- (2) "BD" VARIES ±25
- (3) "U" VARIES — UP TO 41.28 DIA. +.000, -.013
41.28 DIA. AND LARGER +.000, -.025.
- (4) TAP DEPTH ON 210TY THRU 250TY IS 35MM.
TAP DEPTH ON 320TY IS 38MM.
- (5) LEAD WIRE LENGTH AS SPECIFIED ON CERTIFICATION
- (6) "AK" VARIES +.000, -.050
- (7) MINIMUM SUBMERGED DEPTH.
- (8) 3" - 8 PIPE THREAD SUPPLIED WITH CABLE SIZES NO. 4 AND LARGER.
- (9) DIMENSIONS IN INCHES.

FACE RUNOUT AND ECCENTRICITY .20 MAX. T.I.R.
PROTECTIVE CONDUIT FURNISHED BY CUSTOMER.

sh2

FRAME— _____ TYPE— _____ CERTIFIED FOR— _____
 ORDER— _____ ITEM— _____ HP— _____ RPM— _____ PH— _____ HZ— _____ VOLTS _____
 RELIANCE SALES ORDER— _____ APPROVED BY— _____ DATE _____

CUSTOMER IS RESPONSIBLE FOR DETERMINING THAT BALDOR'S PRODUCT WILL PERFORM SUITABLY IN THE INTENDED APPLICATION.

BALDOR

DIMENSION SHEET DUTY MASTER A/C MOTORS

SH 2 of 2

REV. LTR: B	VERSION: 02	TDR: 00000774635
FILE: \RGG\0006\320	REVISED: 10:25:42 11/20/2012	BY: RGGWT