

INDUSTRIAL DIRECT CURRENT MOTORS AND GENERATORS - RPM III

ENCLOSURE: DRIP-PROOF FULLY-GUARDED, COOLING:

MOUNTING:FOOT, NEMA "C" FACE

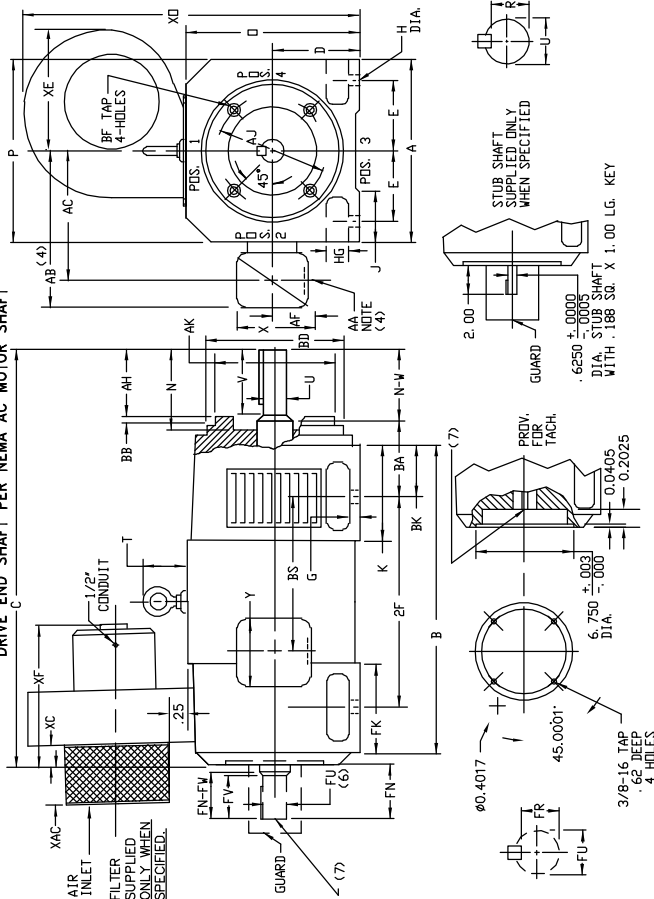
METHOD OF DRIVE:COUPLED OR BELTED

ACCESSORIES:

PROVISIONS FOR TACHOMETER MOUNTING ONLY WHEN SPECIFIED

FORCE VENTILATED WITH INTEGRAL BLOWER AND MOTOR

FRAMES SC2113ATCZ THRU LC2115ATCZ DRIVE END SHAFT PER NEMA AC MOTOR SHAFT



DIMENSIONS ARE IN INCHES

FRAME	A	D(1)	E	G	H	HC	J	O	P	T	BA	K	FK	BK
SC2113ATCZ-LC2115ATCZ	10.25	5.25	4.25	1.44	1.38	1.75	10.44	10.31	2.08	3.50	5.19	6.81	2.38	

FRAME	C(6)	B	BS	2F	N	N-W	U(2)	AH	V	R(3)	SQ.	LGTH.	FN	FN-FM	FU(2)	FV	FR(3)	SQ.	LGTH.	WT.
SC2113ATCZ	28.00	22.50	11.38	18.00	3.62	3.38	1.3750	3.12	3.12	1.20	3.12	2.38	3.50	3.25	1.625	3.00	1.416	.375	2.25	3.55
SC2113ATCZ	29.25	23.75	12.62	18.00	3.62	3.38	1.3750	3.12	3.12	1.20	3.12	2.38	3.50	3.25	1.625	3.00	1.416	.375	2.25	3.80
LC2113ATCZ	30.88	25.38	14.25	18.00	3.62	3.38	1.3750	3.12	3.12	1.20	3.12	2.38	3.50	3.25	1.625	3.00	1.416	.375	2.25	4.10
MC2115ATCZ	32.12	26.62	15.50	22.00	3.62	3.38	1.3750	3.12	3.12	1.20	3.12	2.38	3.50	3.25	1.625	3.00	1.416	.375	2.25	4.35
LC2115ATCZ	34.88	29.38	18.25	22.00	3.62	3.38	1.3750	3.12	3.12	1.20	3.12	2.38	3.50	3.25	1.625	3.00	1.416	.375	2.25	4.90

FRAME	BB	BD	BF	BP	AP	AJ	AK(5)
SC2113ATCZ-LC2115ATCZ	25	8.75	11/2-13	.75	7.25	8.500	

FRAME	XAC	XC	XE	XF	XO
SC2113ATCZ-LC2115ATCZ	7.75	2.25	10.00	16.00	22.75

- (1) "D" DIMENSION WILL NOT BE EXCEEDED. SHIMS UP TO .03 INCHES IN THICKNESS ARE USUALLY REQUIRED FOR COUPLED OR GEARED MACHINES.
- (2) "U" AND "V" VARY FROM .000 TO .0005 UP TO 1.625 DIA. FROM .000 TO .001 1.625 DIA. AND LARGER.
- (3) "R" AND "FR" VARY FROM .000 TO .015.
- (4) REFER TO BOX DIA. (S1) 609959-1, 2, 3, 4, 5, 6, 7, 8, 9, 10, 11, 12, 13, 14, 15, 16, 17, 18, 19, 20, 21, 22, 23, 24, 25, 26, 27, 28, 29, 30, 31, 32, 33, 34, 35, 36, 37, 38, 39, 40, 41, 42, 43, 44, 45, 46, 47, 48, 49, 50, 51, 52, 53, 54, 55, 56, 57, 58, 59, 60, 61, 62, 63, 64, 65, 66, 67, 68, 69, 70, 71, 72, 73, 74, 75, 76, 77, 78, 79, 80, 81, 82, 83, 84, 85, 86, 87, 88, 89, 90, 91, 92, 93, 94, 95, 96, 97, 98, 99, 100.
- (5) "AK" VARIES FROM .000 TO .003. FACE RADIUS AND ECCENTRICITY .004 MAX T. I. R.
- (6) OPPOSITE DRIVE END SHAFT SUPPLIED ONLY WHEN SPECIFIED.
- (7) WHEN THE MOTOR APPLICATION REQUIRES THE USE OF THE DRIVE END, ADD .25 TO "C" DIA. FOR BRACKET COVER.
- TERMINAL BOX CAN BE ROTATED FOR LEAD OUTLET AT TOP, SIDES OR BOTTOM.
- TERMINAL BOX LOCATED ON OPPOSITE SIDE WHEN F-2, W-1, W-4, W-5, W-7, W-8, W-9, W-10, W-11, W-12, W-13, W-14, W-15, W-16, W-17, W-18, W-19, W-20, W-21, W-22, W-23, W-24, W-25, W-26, W-27, W-28, W-29, W-30, W-31, W-32, W-33, W-34, W-35, W-36, W-37, W-38, W-39, W-40, W-41, W-42, W-43, W-44, W-45, W-46, W-47, W-48, W-49, W-50, W-51, W-52, W-53, W-54, W-55, W-56, W-57, W-58, W-59, W-60, W-61, W-62, W-63, W-64, W-65, W-66, W-67, W-68, W-69, W-70, W-71, W-72, W-73, W-74, W-75, W-76, W-77, W-78, W-79, W-80, W-81, W-82, W-83, W-84, W-85, W-86, W-87, W-88, W-89, W-90, W-91, W-92, W-93, W-94, W-95, W-96, W-97, W-98, W-99, W-100.
- BLOWER ASSEMBLY CAN BE LOCATED AT POSITION 1, 2, OR 3 EXCEPT FOR MOTOR WEIGHT MAY VARY 15% FOR NON-STANDARD RATINGS AND/OR ACCESSORIES.
- IF MOUNTING CLEARANCE DETAILS ARE REQUIRED, CONSULT FACTORY.

CUSTOMER IS RESPONSIBLE FOR DETERMINING THAT BALDOR'S PRODUCT WILL PERFORM SUITABLY IN THE INTENDED APPLICATION.

REV. LTR: -	VERSION: 00	TDR: 000000578087
FILE: \R66\00015\950	REVISED: 08:46:01 01/28/2011	BY: CONNAS
MTL: -		



DIMENSION DRAWING: SC2113ATCZ - LC2115ATCZ, DPP, FOOT MTG