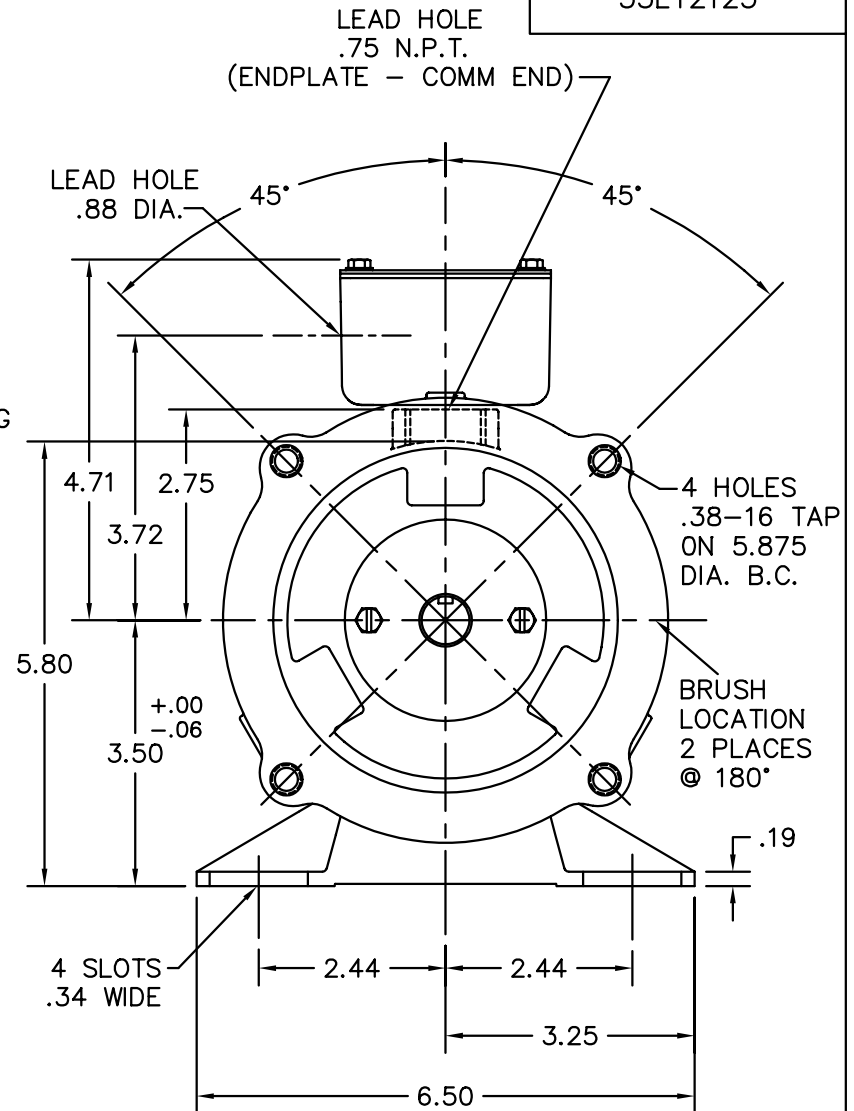
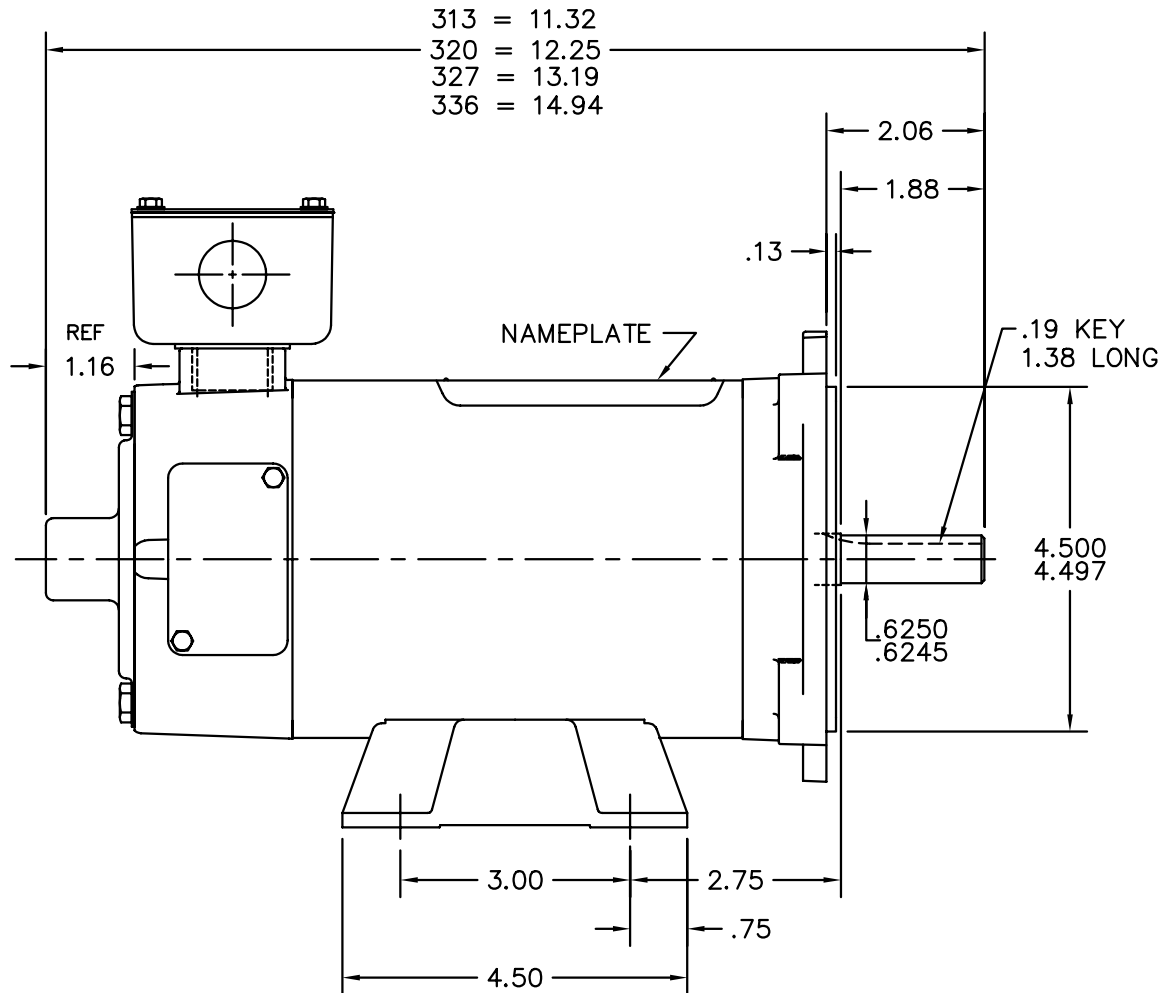


33LY2123



CUSTOMER IS RESPONSIBLE FOR DETERMINING THAT MOTOR PERFORMANCE IS SUITABLE IN THE APPLICATION.

REV. DESC: HA6887 WAS 34FH4800

REV. LTR: F BY: DH REVISED: 09/28/00 4:14 TDR: 0219592

33LY2123

FILE: AAA00014553

REF: -

MTL: -

BALDOR ELECTRIC Co.

SPL HORZ 33PM TENV NEMA 56C W/M.F.T.K

33LY2123