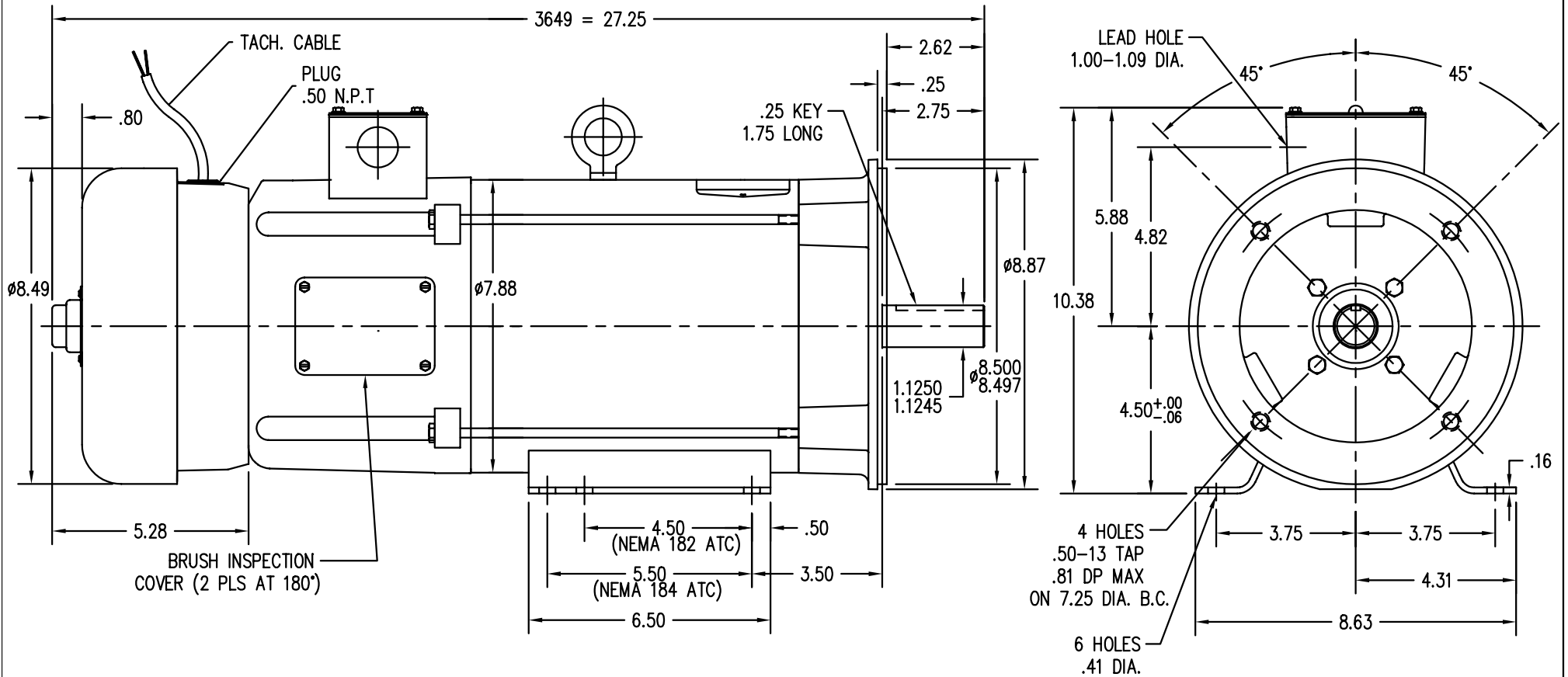


36LYP130



CUST. NAME		CUST. P.O.		CERTIFIED BY		MODEL		INSUL		AMB			
H.P.		MTG		TYPE		R.P.M.		VOLTS		ENCL			
PHASE		FREQ		FRAME		<h1>BALDOR ELECTRIC Co.</h1> <p>STD HORZ"TC"TEFC 3649PM-182-4TC MODIFIED FOR TG-300</p>							
REV. LTR: G		BY: DM		REVISED: 12/17/98 10:48								TDR: 0163301	
FILE: AAA00033851		MDL: -		REF: 36P134									
MTL:													

36LYP130