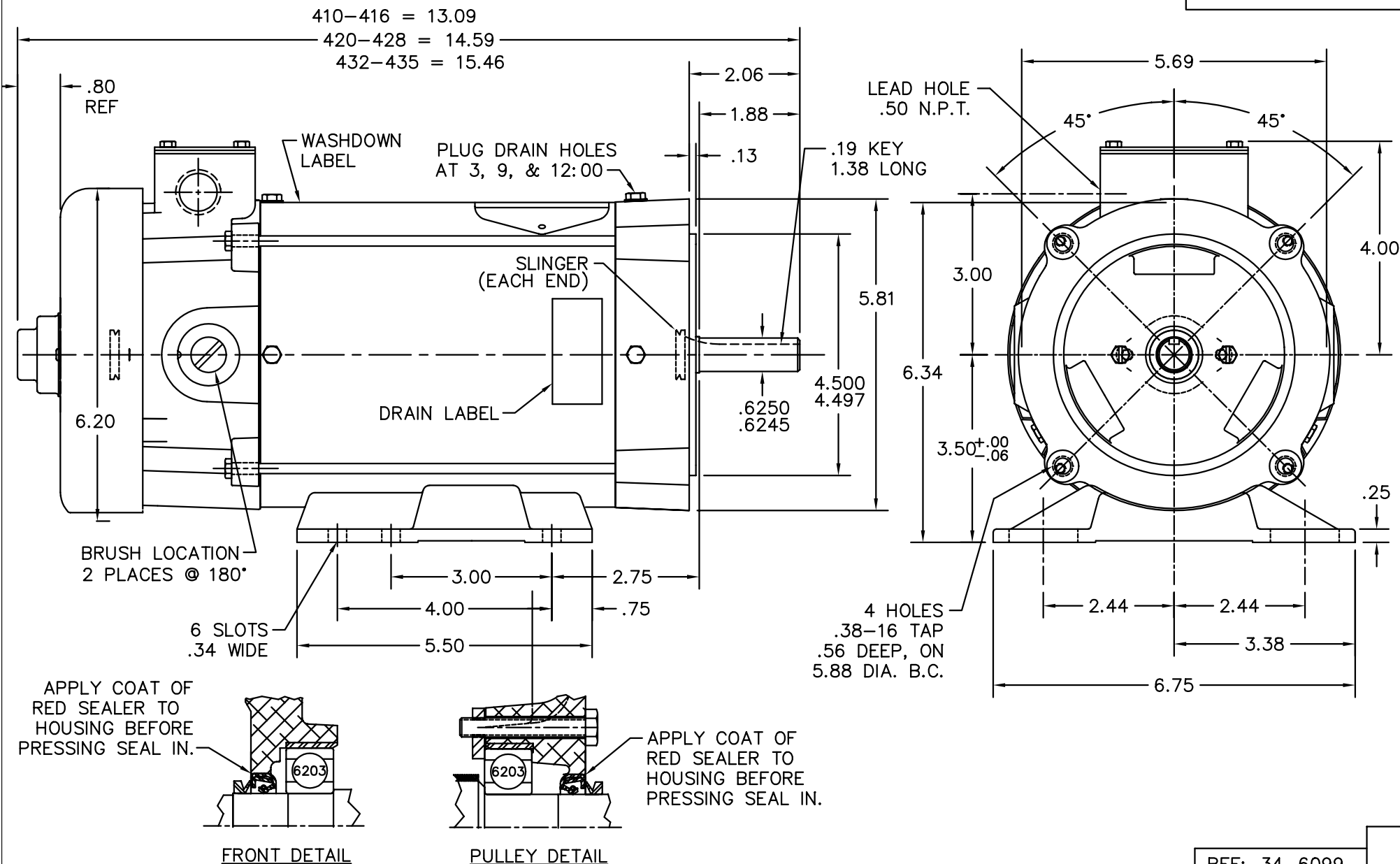


34LY6418



FRONT DETAIL

PULLEY DETAIL

REF: 34-6099

CUST. NAME		CUST. P.O.		CERTIFIED BY		MODEL		INSUL		AMB	
H.P.		MTG		TYPE		R.P.M.		VOLTS		ENCL	
PHASE		FREQ		FRAME							
<p>REV. DESC: OMIT "EA. SIDE" FROM DRAIN LABEL</p> <p>REV. LTR: G BY: YD REVISED: 06/19/00 11:26 TDR: 0212812</p> <p>FILE: AAA00022476 MDL: -</p> <p>MTL: AAA00022476</p>											
<p>BALDOR ELECTRIC Co.</p> <p>STD HORZ 34PM NEMA 56C TEFC S/P#9 WASHDOWN W/MFTK</p>											

34LY6418