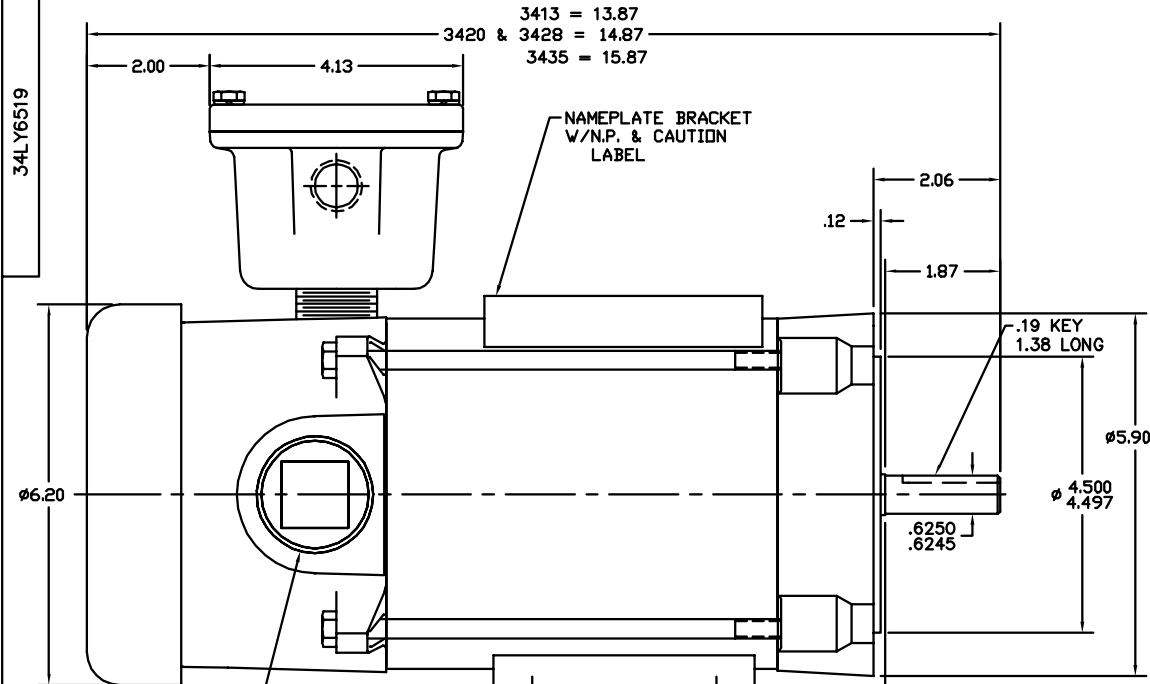
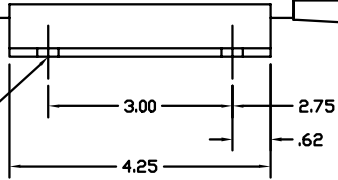


34LY6519

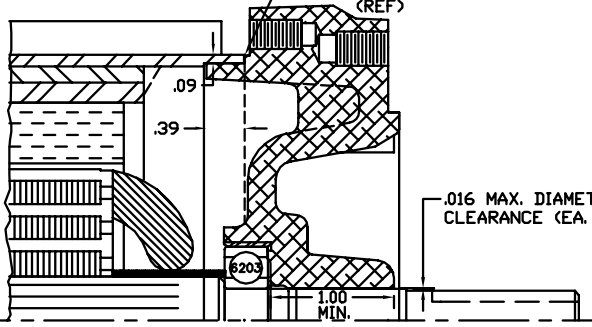


BRUSH INSPECTION
 PLUG 2 PLACES AT
 180° - 5 THREAD
 MIN. ENGAGEMENT

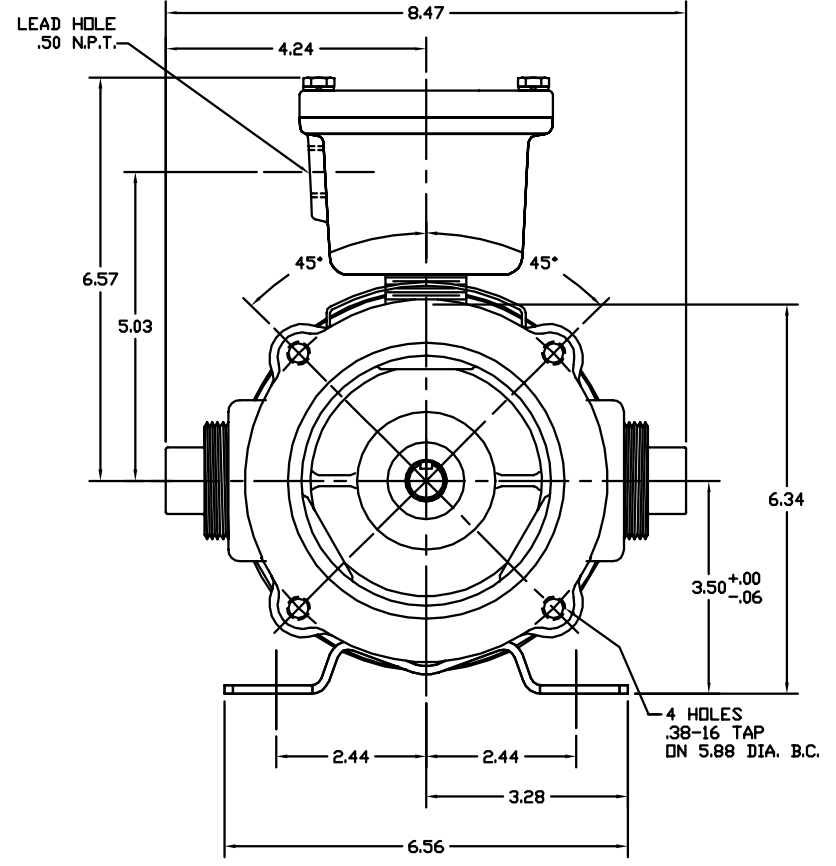
4 SLOTS
 .34 WIDE



.0015 MAX.
 CLEARANCE (REF)



PULLEY END DETAIL



CUSTOMER IS RESPONSIBLE FOR DETERMINING THAT BALDOR'S PRODUCT WILL PERFORM SUITABLY IN THE INTENDED APPLICATION. UL CLASS 1 GROUP D
CLASS II GROUP F & G

REV. DESC: ADD NOTE FOR MIN THREAD ENGAGEMENT ON BRUSH PLUG		
REV. LTR: E	VERSION: 01	TDR: 00000778809
FILE: \AAA\00022\077	REVISED: 08:27:07 12/21/2012	BY: ENMORWO
MTL: -		

BALDOR

STD HOR 56C TEFC X34PM - CL 1,GRP D, CL 2 GRP F & G
 SH 1 of 1

34LY6519