

BALDOR® • RELIANCE

Product Information Packet

POWER TRANSMISSION SPECIALTY

CEM2539T

40HP, 1770RPM, 3PH, 60HZ, 324TC, 4064M, OPSB, F

Part Detail							
Revision:	-	Status:	PRD/A	Change #:		Proprietary:	No
Type:	AC	Prod. Type:	4064M	Elec. Spec:	40WGX166	CD Diagram:	CD0005
Enclosure:	OPSB	Mfg Plant:		Mech. Spec:	40H06	Layout:	40LYH006
Frame:	324TC	Mounting:	F1	Poles:	04	Created Date:	09-19-2014
Base:	RG	Rotation:	R	Insulation:	F	Eff. Date:	09-29-2014
Leads:	9#8					Replaced By:	
Literature:		Elec. Diagram:					

Nameplate NP2138L						
CAT.NO.	CEM2539T	P/N		ENCLOSURE	OPSB	
SPEC.	40H006X166G2	CC	010A	FRAME	324TC	S/N
HP	40	CLASS	F	HZ	60	
RPM	1770	PH	3	DES	A	
VOLT	230/460	KVA-CODE	H	ODE BRG	6309	DE BRG 6312
AMP	98/49	USABLE AT 208V	99			
RATING	40C AMB-CONT	GREASE	POLYREX EM			
NEMA-NOM-EFF	94.1	PF	82	SER.F.	1.15	
HTR-VOLTS		HTR-AMPS		MAX. SPACE HEATER TEMP.		

AC Induction Motor Performance Data

Record # 31313 - Typical performance - not guaranteed values

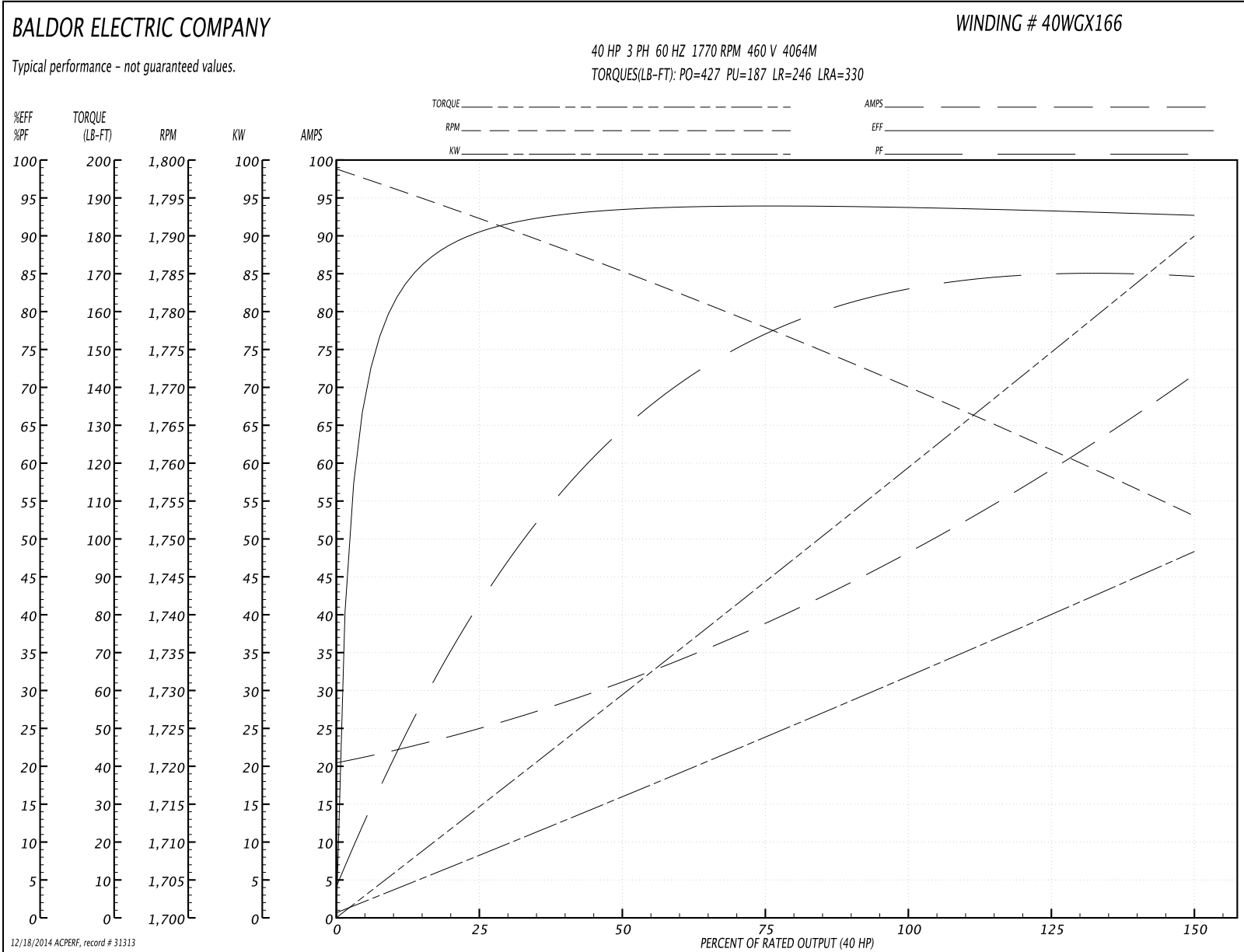
Winding: 40WGX166-R002	Type: 4064M	Enclosure: OPSB
-------------------------------	--------------------	------------------------

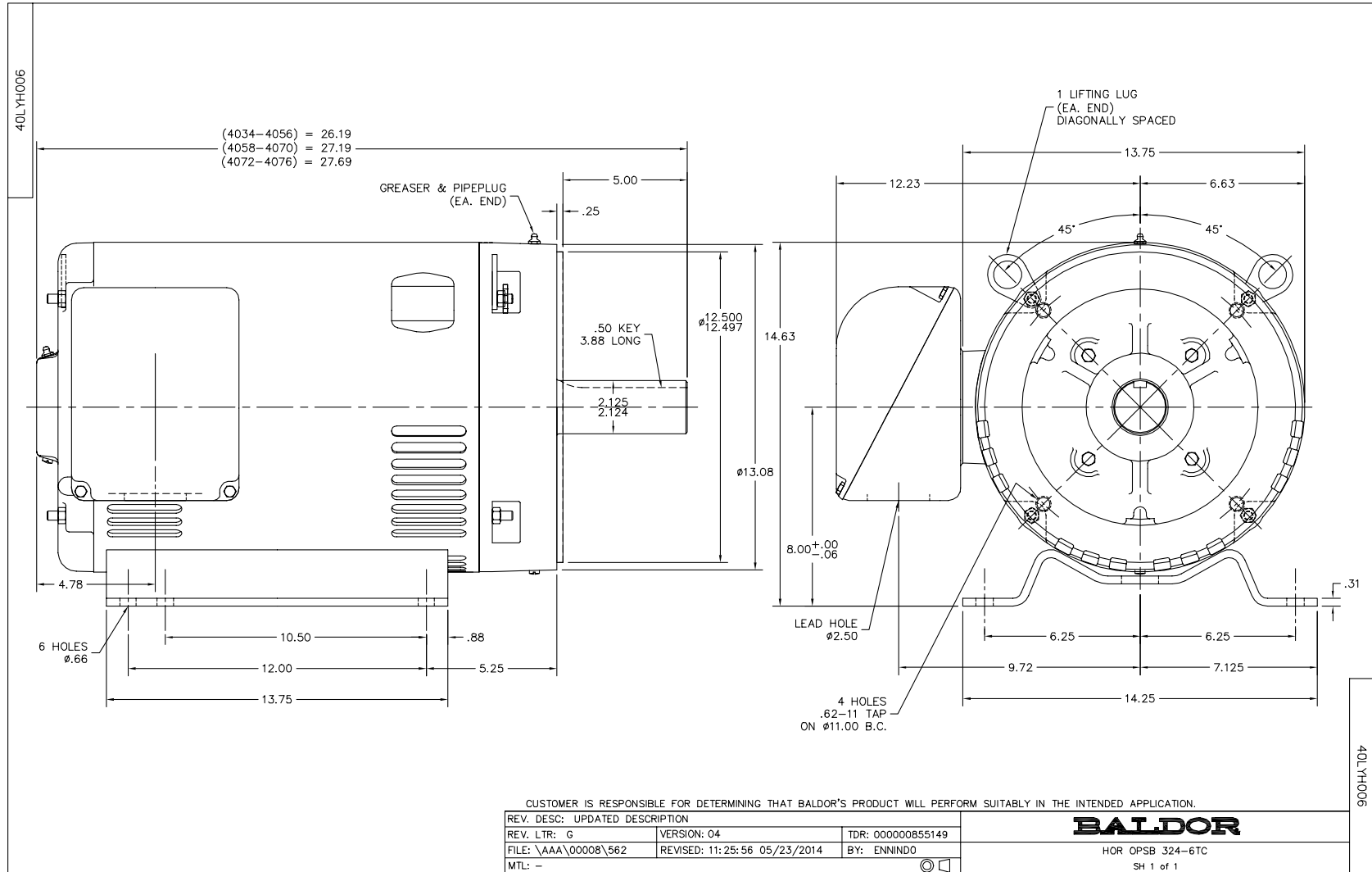
Nameplate Data				460 V, 60 Hz: High Voltage Connection	
Rated Output (HP)	40			Full Load Torque	119 LB-FT
Volts	230/460			Start Configuration	direct on line
Full Load Amps	98/49			Breakdown Torque	427 LB-FT
R.P.M.	1770			Pull-up Torque	187 LB-FT
Hz	60	Phase	3	Locked-rotor Torque	246 LB-FT
NEMA Design Code	A	KVA Code	H	Starting Current	330 A
Service Factor (S.F.)	1.15			No-load Current	21.1 A
NEMA Nom. Eff.	94.1	Power Factor	82	Line-line Res. @ 25°C	0.16236 Ω
Rating - Duty	40C AMB-CONT			Temp. Rise @ Rated Load	41°C
S.F. Amps				Temp. Rise @ S.F. Load	51°C
				Rotor inertia	5.09 LF ²

Load Characteristics 460 V, 60 Hz, 40 HP

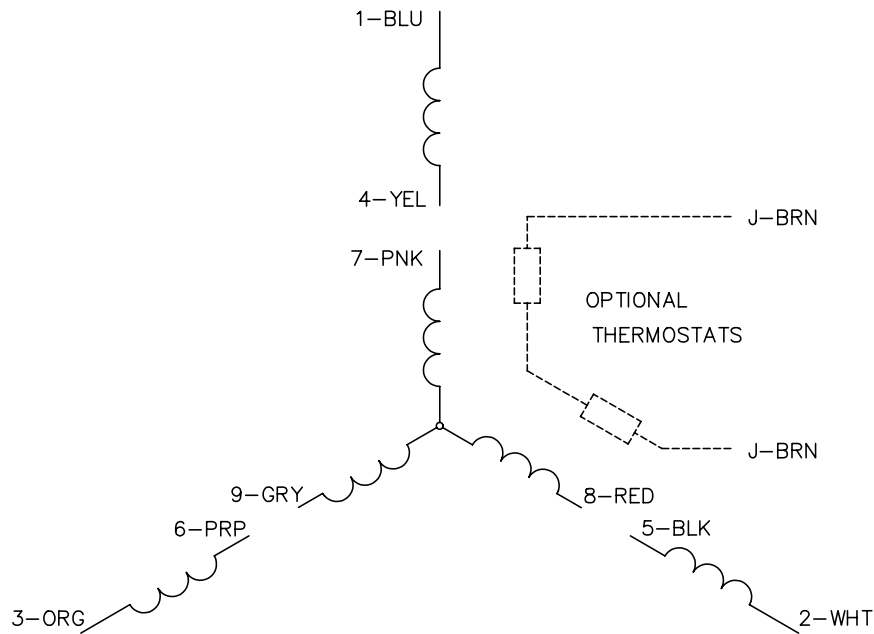
% of Rated Load	25	50	75	100	125	150	S.F.
Power Factor	43	65	76	82	85	85	84
Efficiency	91.1	94	94.5	94.2	93.6	92.8	93.8
Speed	1792.4	1785	1777.8	1770.2	1762.1	1752.8	1765
Line amperes	24.1	30.7	39.2	48.7	59.3	71.3	55.1

Performance Graph at 460V, 60Hz, 40.0HP Typical performance - Not guaranteed values

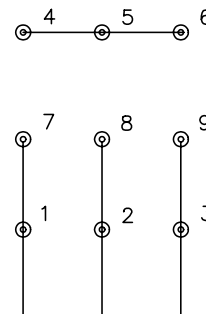




CD0005

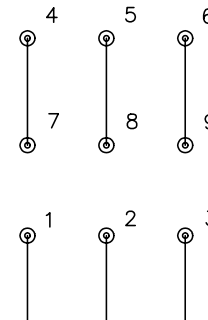


LOW VOLTAGE
(2Y)



LINE

HIGH VOLTAGE
(1Y)



LINE

NOTES:

1. INTERCHANGE ANY TWO LINE LEADS TO REVERSE ROTATION.
2. OPTIONAL THERMOSTATS ARE PROVIDED WHEN SPECIFIED.
3. ACTUAL NUMBER OF INTERNAL PARALLEL CIRCUITS MAY BE A MULTIPLE OF THOSE SHOWN ABOVE.
4. LEAD COLORS ARE OPTIONAL. LEADS MUST ALWAYS BE NUMBERED AS SHOWN.

REV. DESC: REVISE TO SHOW OPTIONAL COLORS

REV. LTR: E BY: JLP

REVISED: 01/19/99 10:15

TDR: 0171435

90000

FILE: AAA00005140

MDL: -

MTL: -

BALDOR ELECTRIC Co.

3PH, DV, 9 LEADS

CD0005