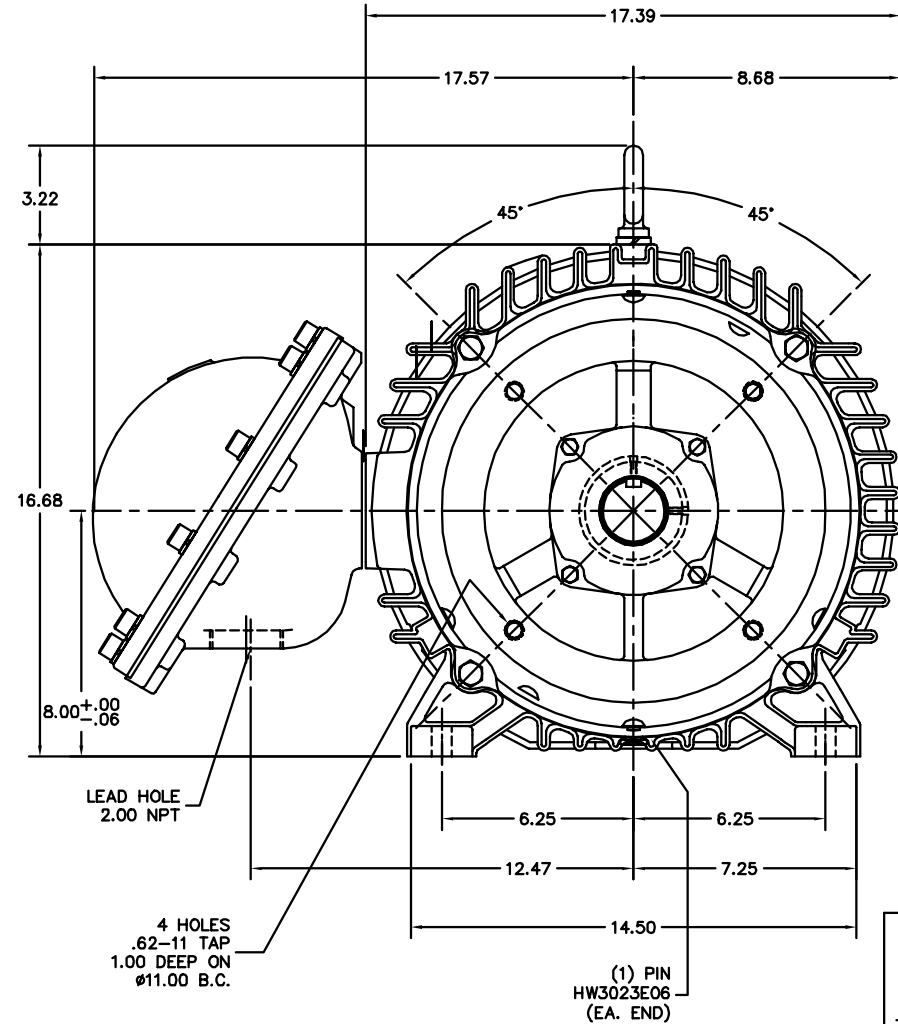
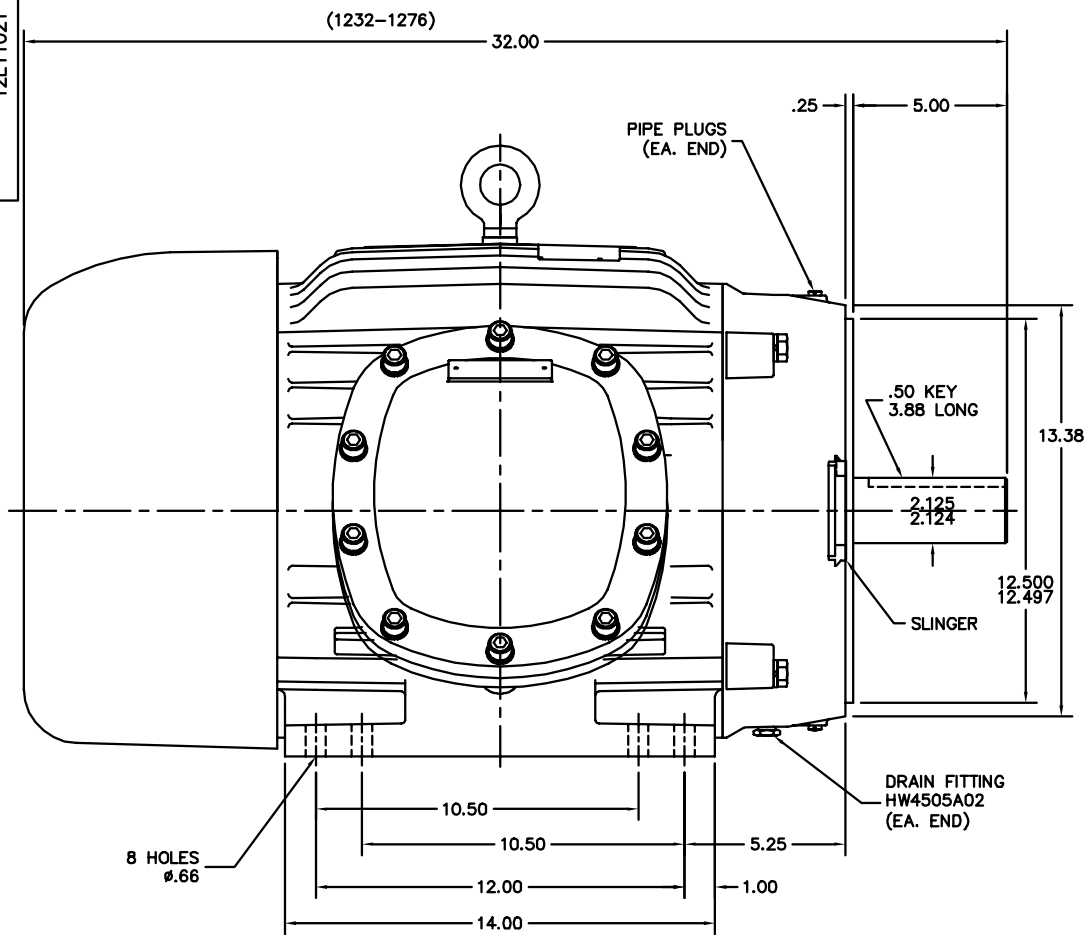


12LYT021



CUSTOMER IS RESPONSIBLE FOR DETERMINING THAT BALDOR'S PRODUCT WILL PERFORM SUITABLY IN THE INTENDED APPLICATION.

REV. DESC: UPDATED DESCRIPTION		
REV. LTR: C	VERSION: 02	TDR: 00000857313
FILE: \AAA\00076\180	REVISED: 11:37:32 06/09/2014	BY: ENNINDO
MTL: -		

BALDOR

HOR XPFC 324-6TC CLI GRP C&D ONLY, DRILL RIG

SH 1 of 1

12LYT021