

DUTY MASTER ALTERNATING CURRENT MOTORS

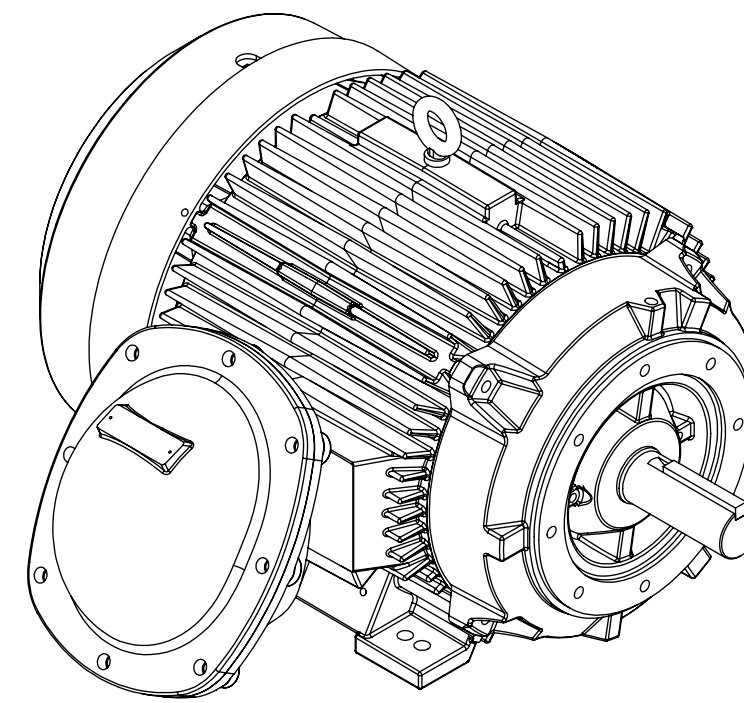
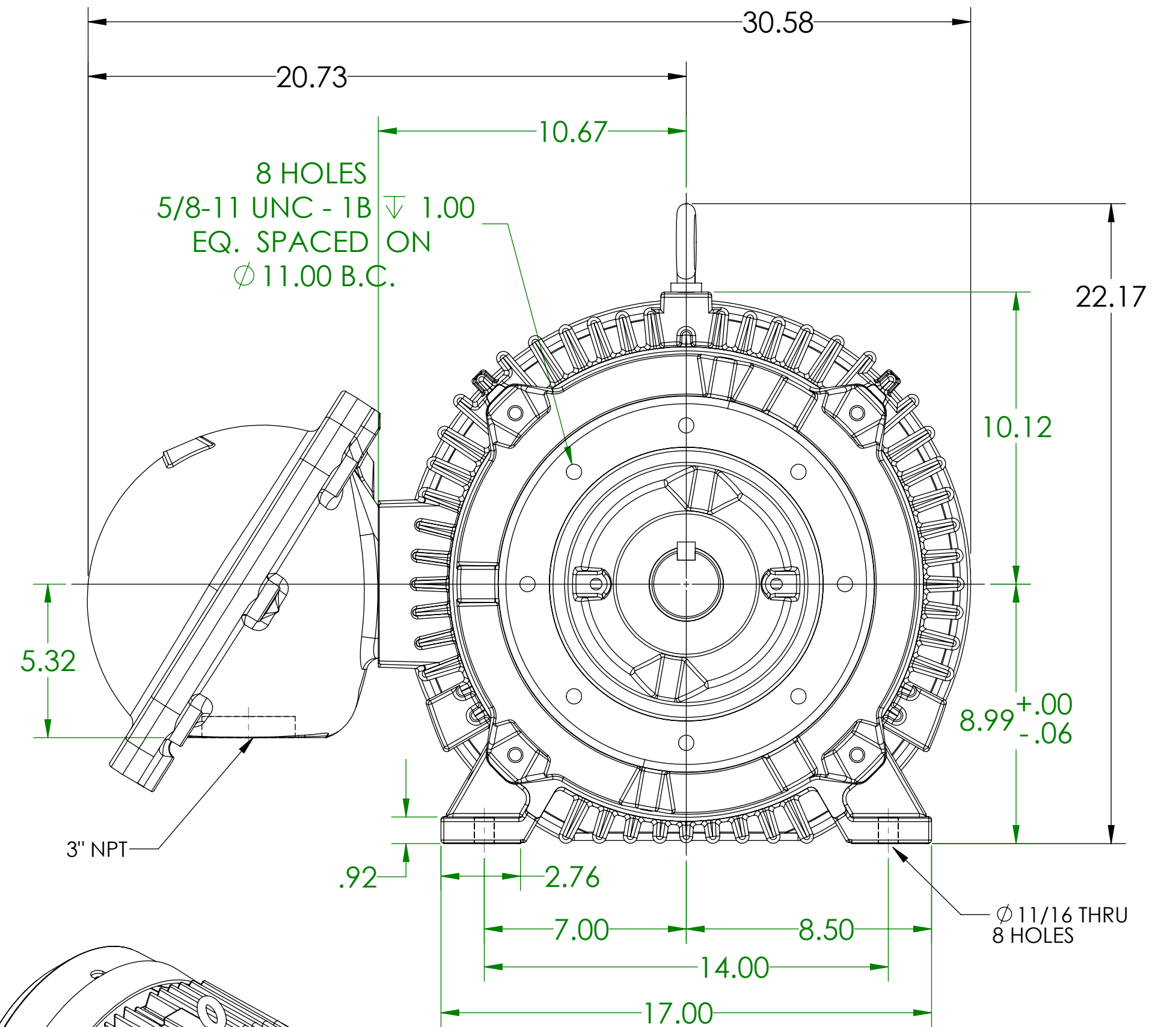
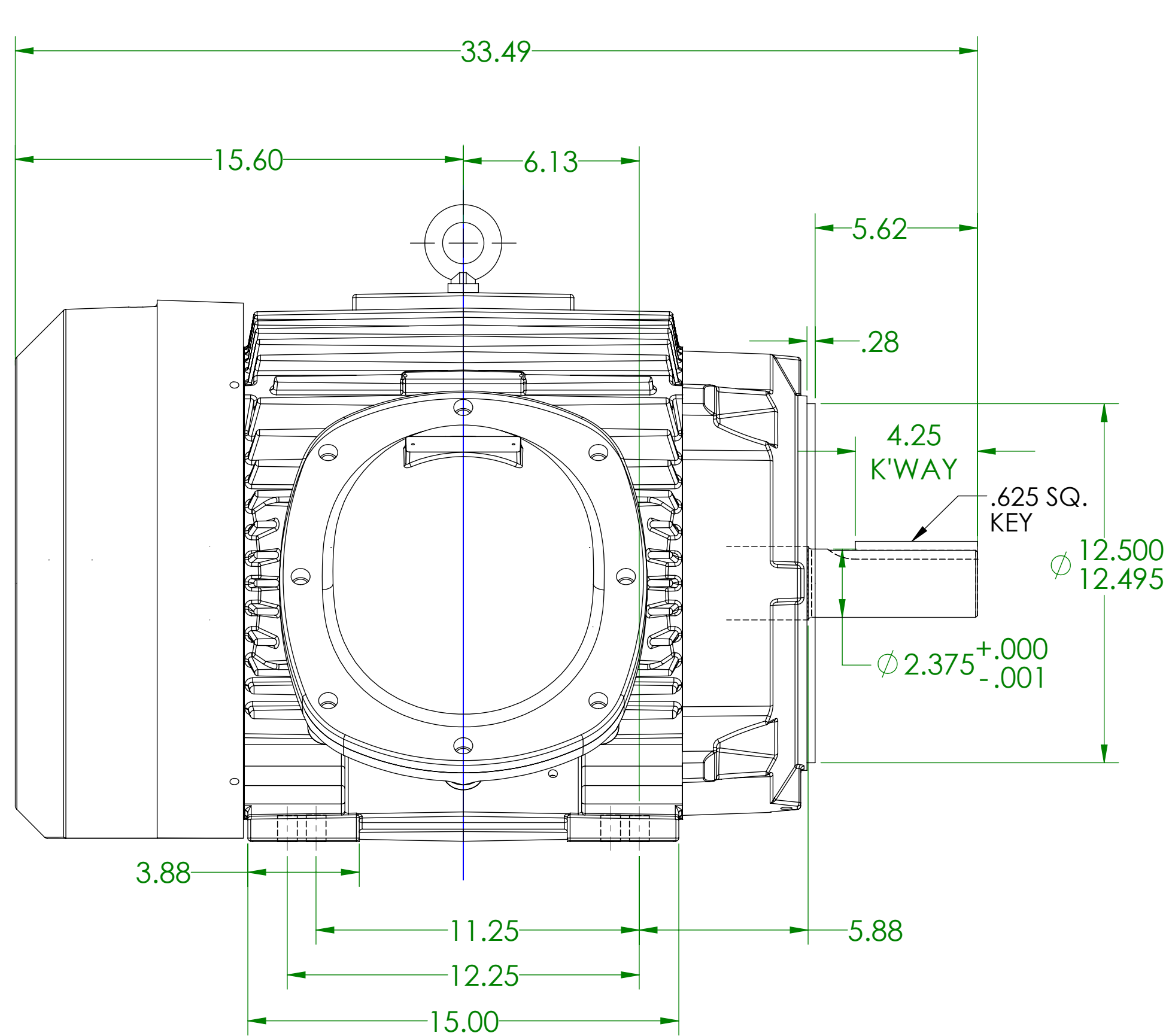
SQUIRREL-CAGE INDUCTION

ENCLOSURE: TOTALLY ENCLOSED

FRAME 365TC
INCLUDES 364TC FRAME MOUNTING HOLES

COOLING: FAN-COOLED

MOUNTING: FOOT



DIMENSIONS ARE IN INCHES

CUSTOMER IS RESPONSIBLE FOR DETERMINING THAT MOTOR PERFORMANCE IS SUITABLE IN THE APPLICATION.

REV. DESC: REVISED D/S TO SHOW CORRECT LOC. FOR "AH" SEE TDR			
REV: A	VERSION: 01	REVISED: 02:25:43 10/30/2015	TDR: 00000951147
MODEL NO. 616512-502			
BY: RAGGDM			

BALDOR

E365TC 6313 FCXP W/BOLT ON CONDUIT BOX -- CLASS 1 GR C & D

SHEET NUMBER
1 OF 1
616512-502