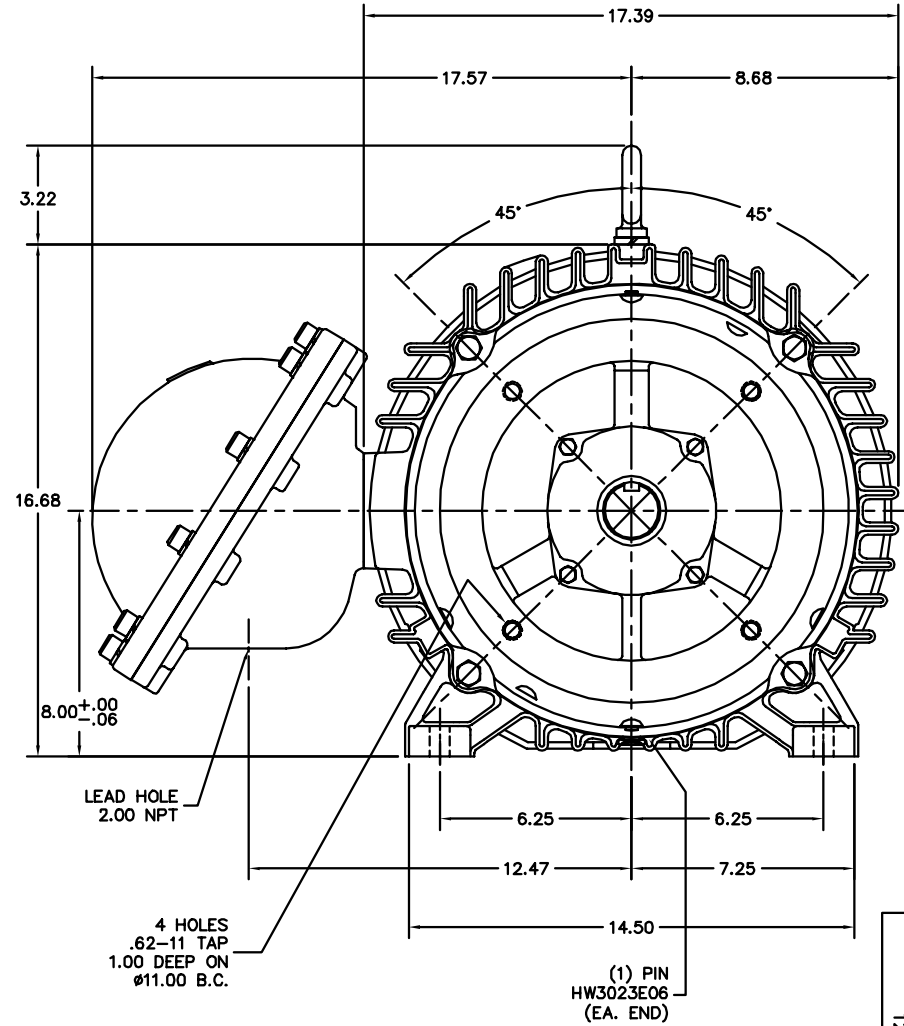
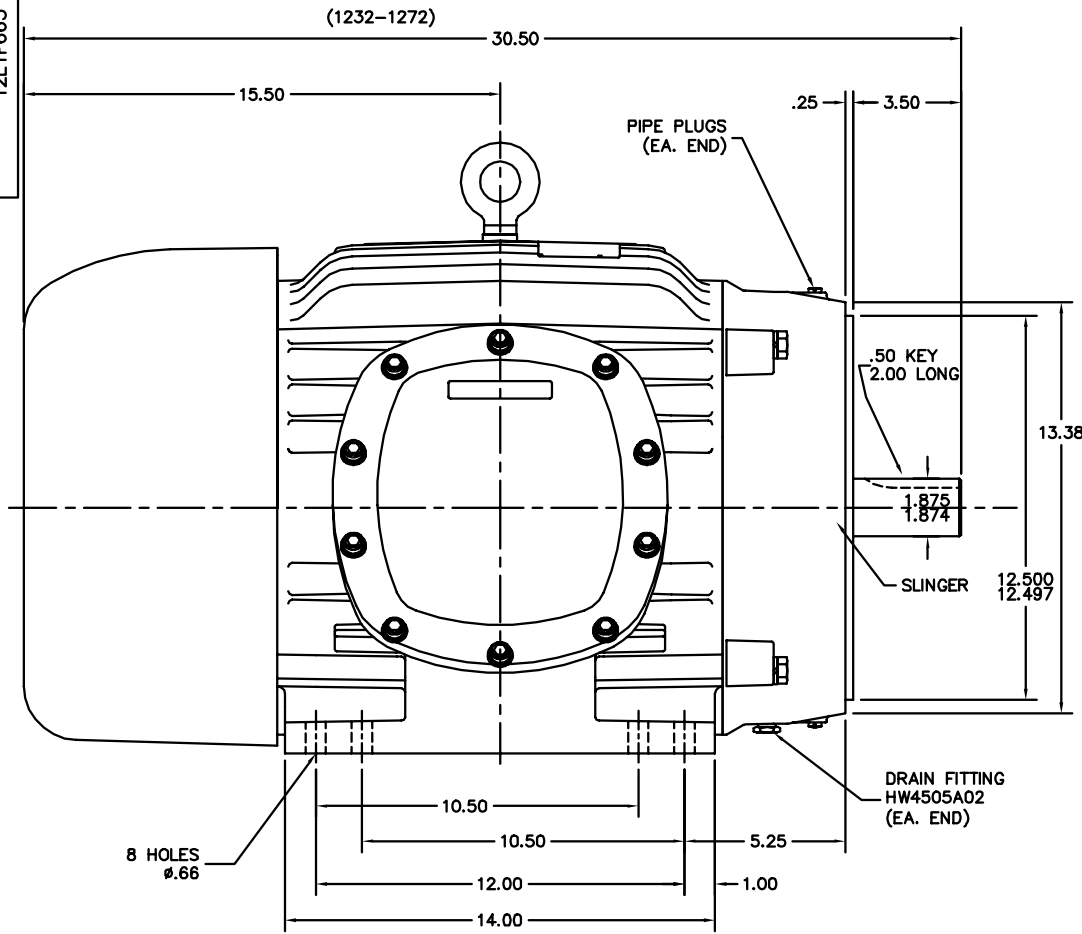


12LYF665



CUSTOMER IS RESPONSIBLE FOR DETERMINING THAT BALDOR'S PRODUCT WILL PERFORM SUITABLY IN THE INTENDED APPLICATION.

REV. DESC: NEW	VERSION: 00	TDR: 000000504833
REV. LTR: -	REVISED: 08:36:42 07/10/2009	BY: ENDANRO
FILE: \AAA\00164\709		
MTL: -		

BALDOR • DODGE • RELIANCE

HORZ XPFC 324-6TSC CL.I,GP.C&D, DRILL RIG

SH 1 of 1

12LYF665