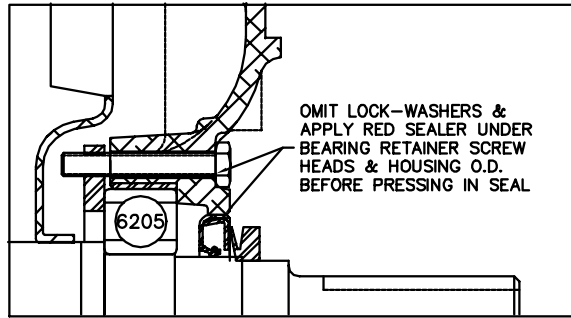


FRONT END DETAIL



PULLEY END DETAIL

CUSTOMER IS RESPONSIBLE FOR DETERMINING THAT BALDOR'S PRODUCT WILL PERFORM SUITABLY IN THE INTENDED APPLICATION.

REV. DESC: CHG SLINGER ON FR END TO V-RING	VERSION: 04	TDR: 00000783411
REV. LTR: D	REVISD: 02:58:12 02/20/2013	BY: ENVINW0
FILE: \AAA\00111\603	MTL: -	

BALDOR

HOR 56C TEFC 35M WD (S/P #9) 2P

SH 1 of 1