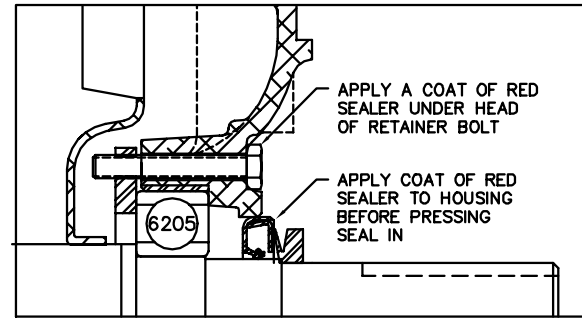


FRONT END DETAIL



PULLEY END DETAIL

CUSTOMER IS RESPONSIBLE FOR DETERMINING THAT BALDOR'S PRODUCT WILL PERFORM SUITABLY IN THE INTENDED APPLICATION.

REV. DESC: CHG SLINGER ON FR END TO V-RING		
REV. LTR: A	VERSION: 01	TDR: 00000783411
FILE: \AAA\00173\424	REVISED: 02:54:39 02/20/2013	BY: ENVINW0
MTL: -		

**BALDOR**

HOR 143-5TC TEFC M HOSE DOWN(SP 9),2 POLE "W" BASE(35BA4009)

SH 1 of 1