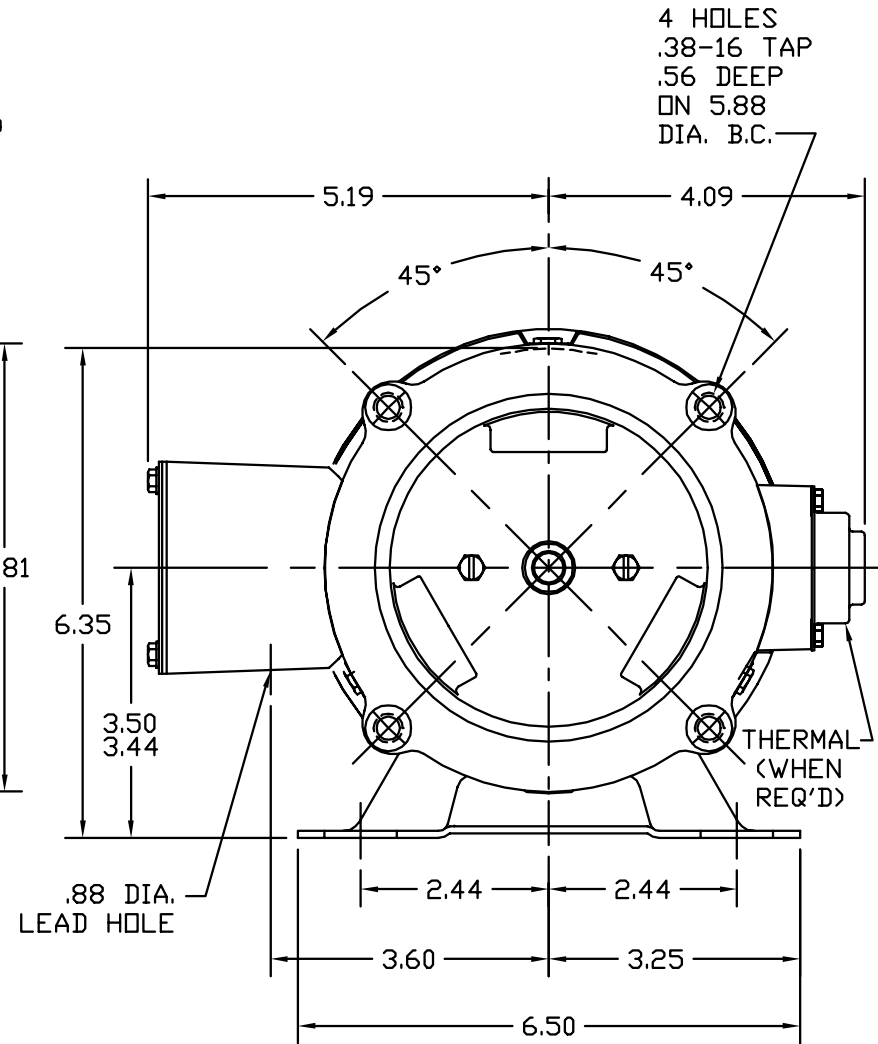
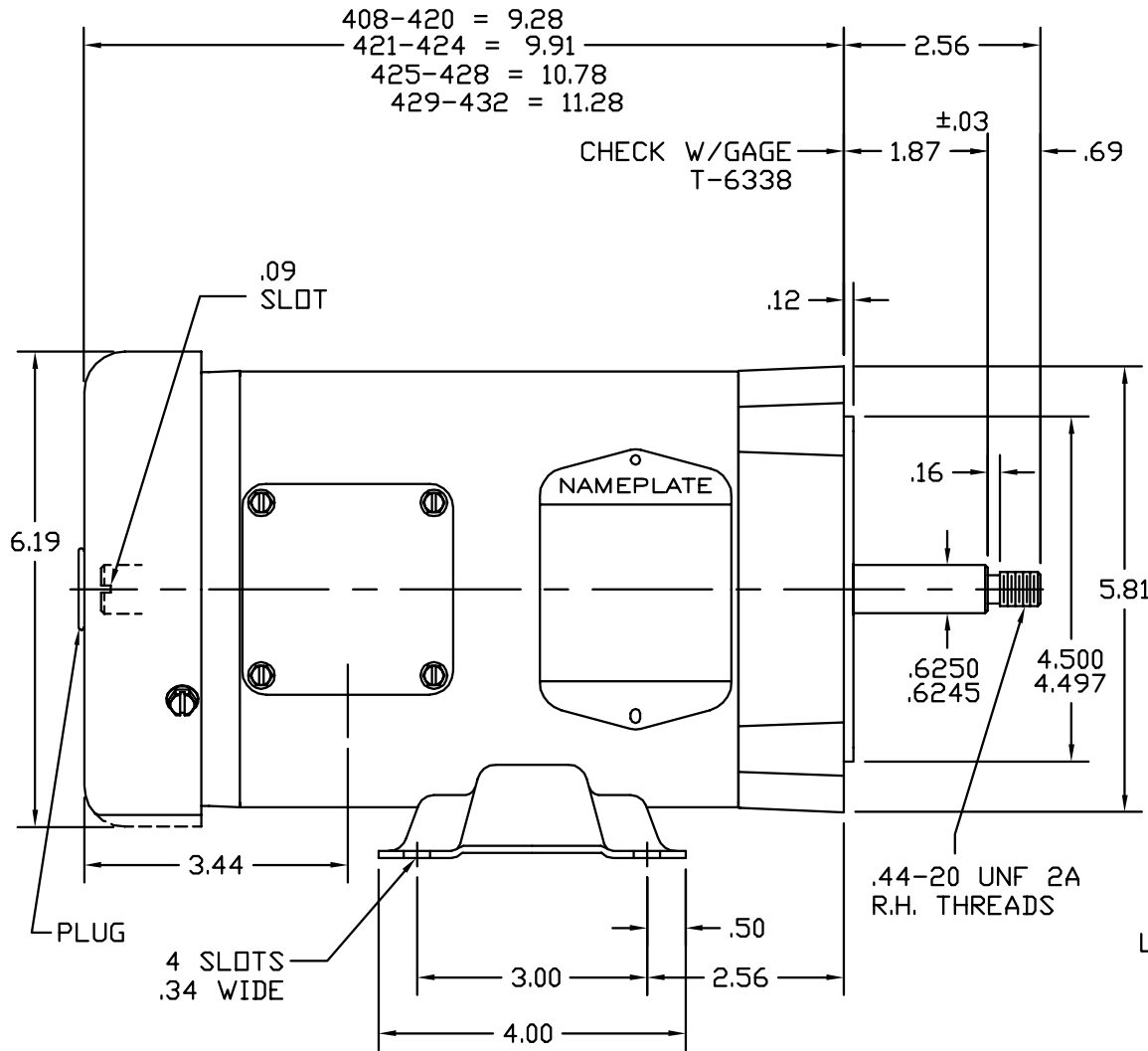


34LYK039



CUSTOMER IS RESPONSIBLE FOR DETERMINING THAT MOTOR PERFORMANCE IS SUITABLE IN THE APPLICATION.

REV. DESC: UPDATE GRAPHIC

REV. LTR: F

VERSION: 01

TDR: 000000394272

BALDOR ELECTRIC Co.

34LYK039

FILE: \AAA\00026\049

REVISED: 11:56:21 04/17/2006

STD HORZ MODEL 34M NEMA 56J TEFC

MTL: -

BY: ENROSTO

34LYK039