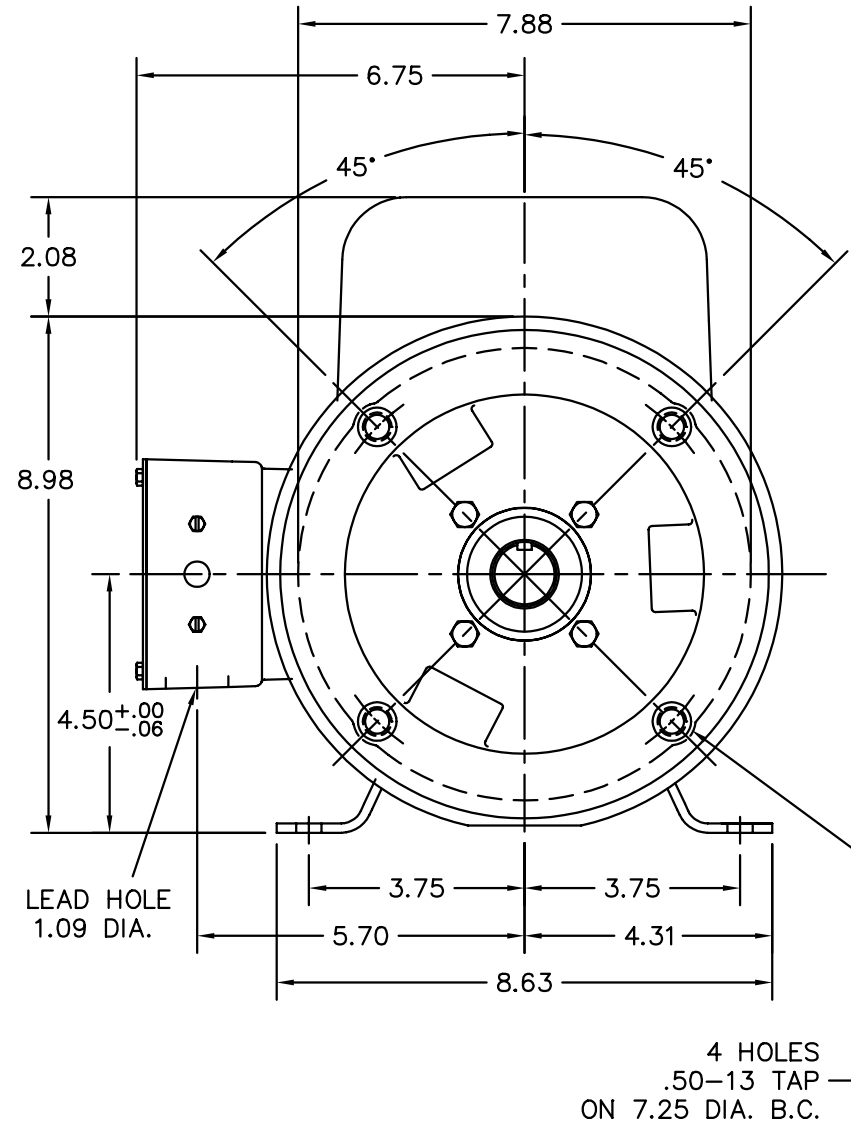
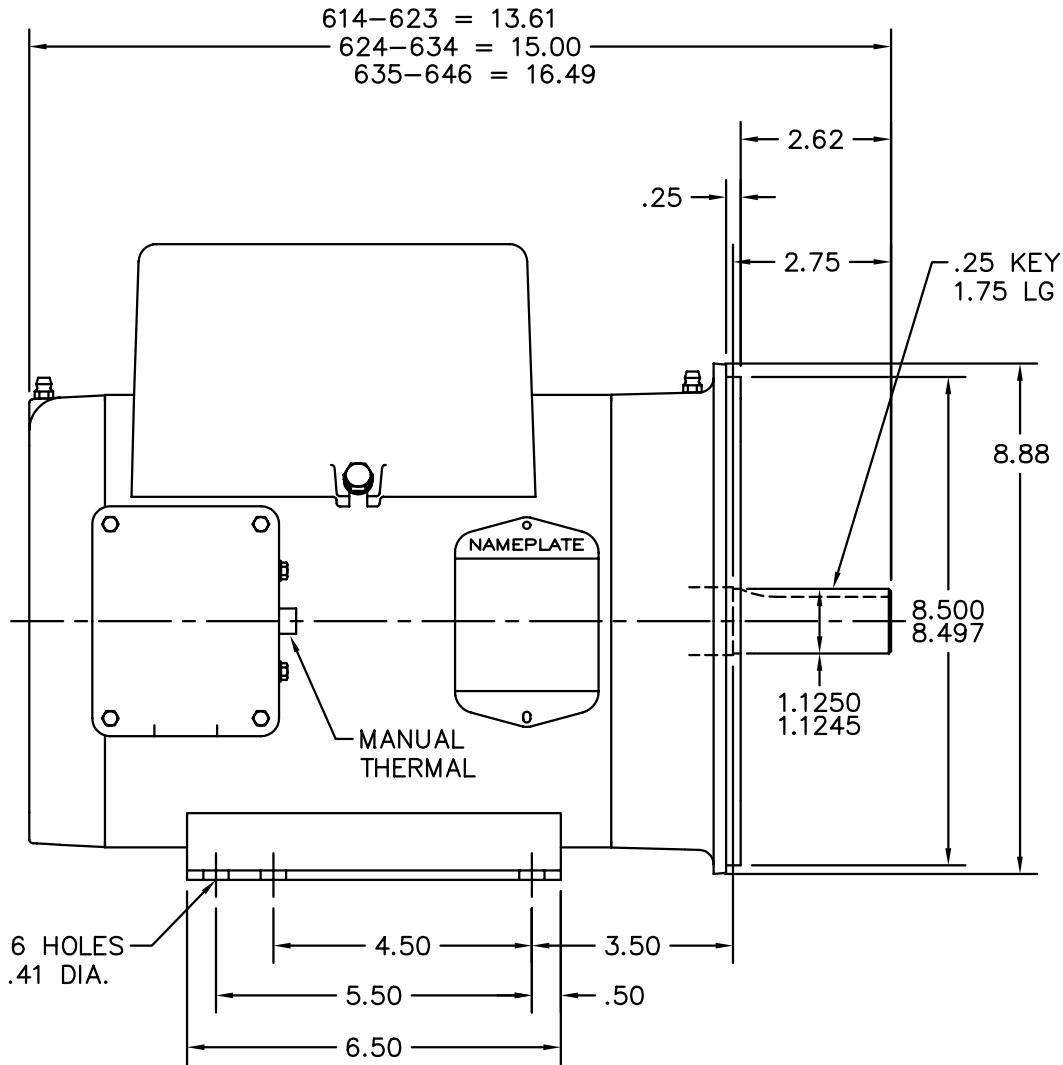


36LYF984



4 HOLES
.50-13 TAP
ON 7.25 DIA. B.C.

CUST. NAME		CUST. P.O.		CERTIFIED BY		MODEL		INSUL		AMB							
H.P.		MTG		TYPE		R.P.M.		VOLTS		ENCL							
PHASE		FREQ		FRAME		BALDOR ELECTRIC Co.											
REV. DESC: CHG'D CONDUIT BOX (SEE EC09)																	
REV. LTR: D		BY: JED		REVISED: 01/28/99 9:47								TDR: 0171563					
36LYF984		FILE: AAA00015946		MDL: -		STD HORZ 36LC 182-4TC OPEN FACE MTD W/1.00 MTO											
MTL: -																	

36LYF984