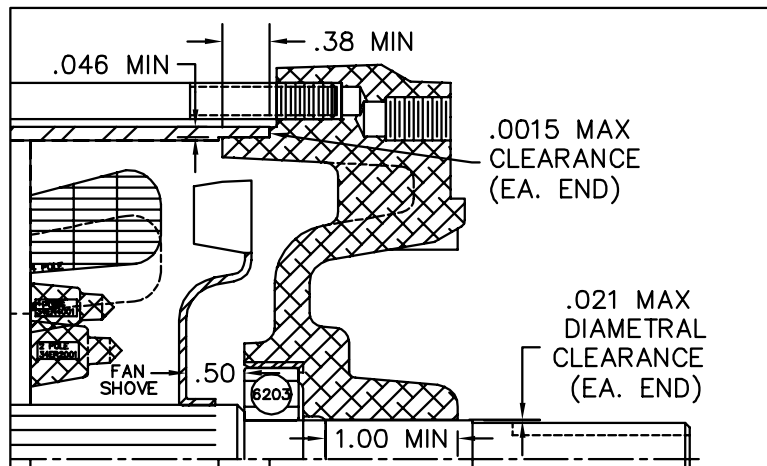
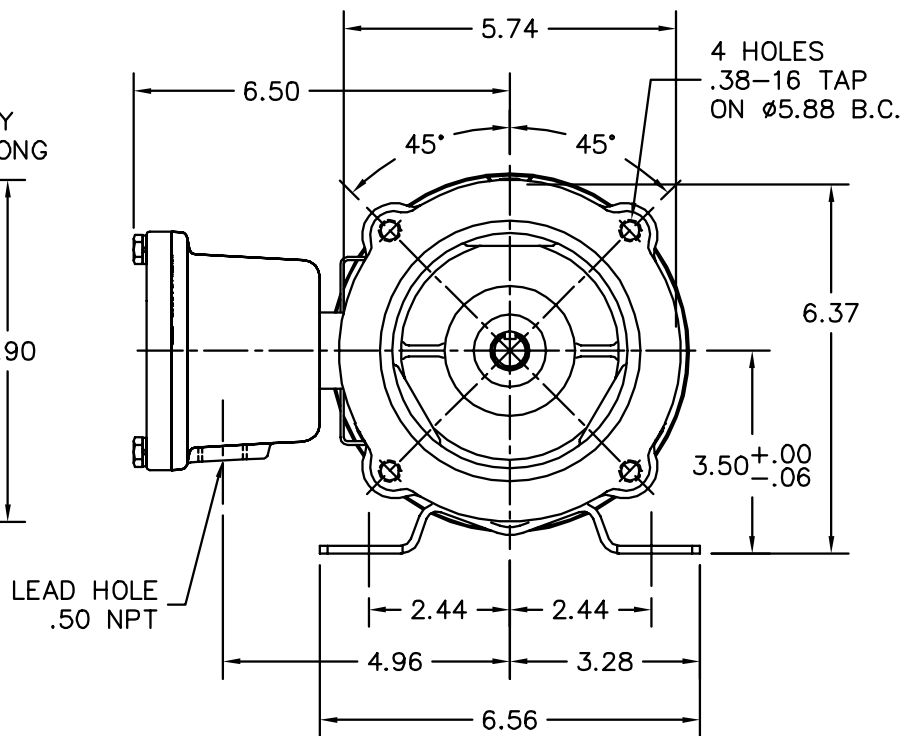
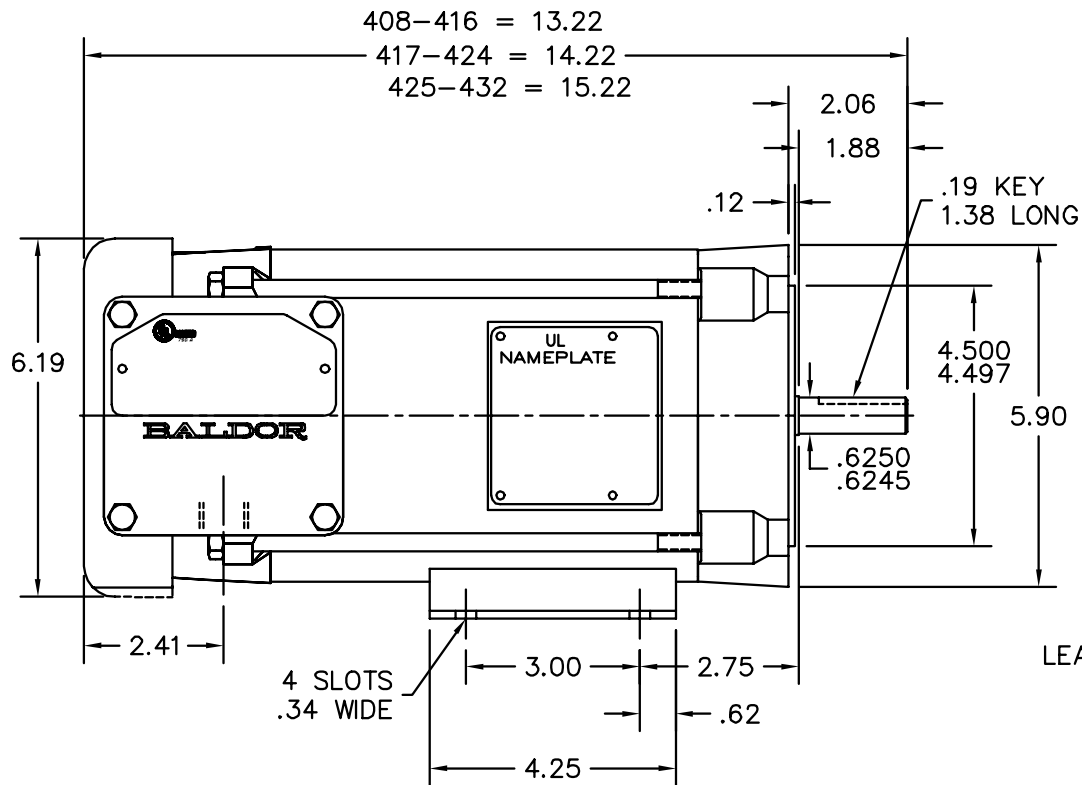


34LY5331



CUSTOMER IS RESPONSIBLE FOR DETERMINING THAT BALDOR'S PRODUCT WILL PERFORM SUITABLY IN THE INTENDED APPLICATION.

REV. DESC: UPDATE TO LATEST STDS		
REV. LTR: F	VERSION: 02	TDR: 00000765109
FILE: \AAA\00026\668	REVISED: 03:48:03 09/19/2012	
MTL: -	BY: ENBENBO	

BALDOR

STD HORZ X34M NEMA 56C TEFC W/TSTAT CL1 GP D, CL2 GP F & G

SH 1 of 1

34LY5331