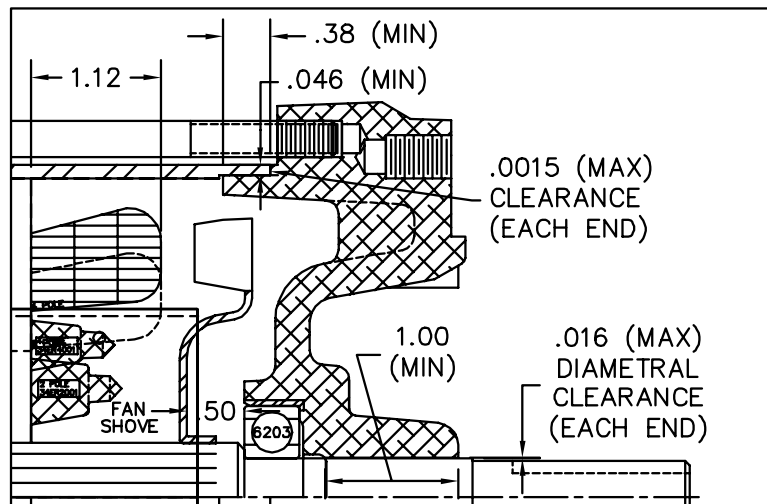
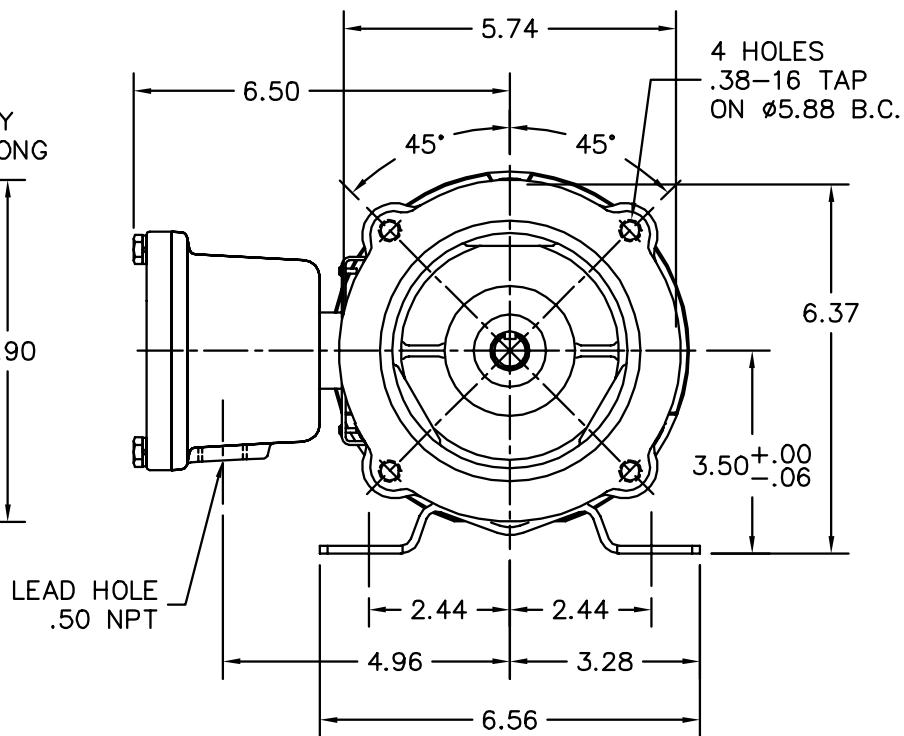
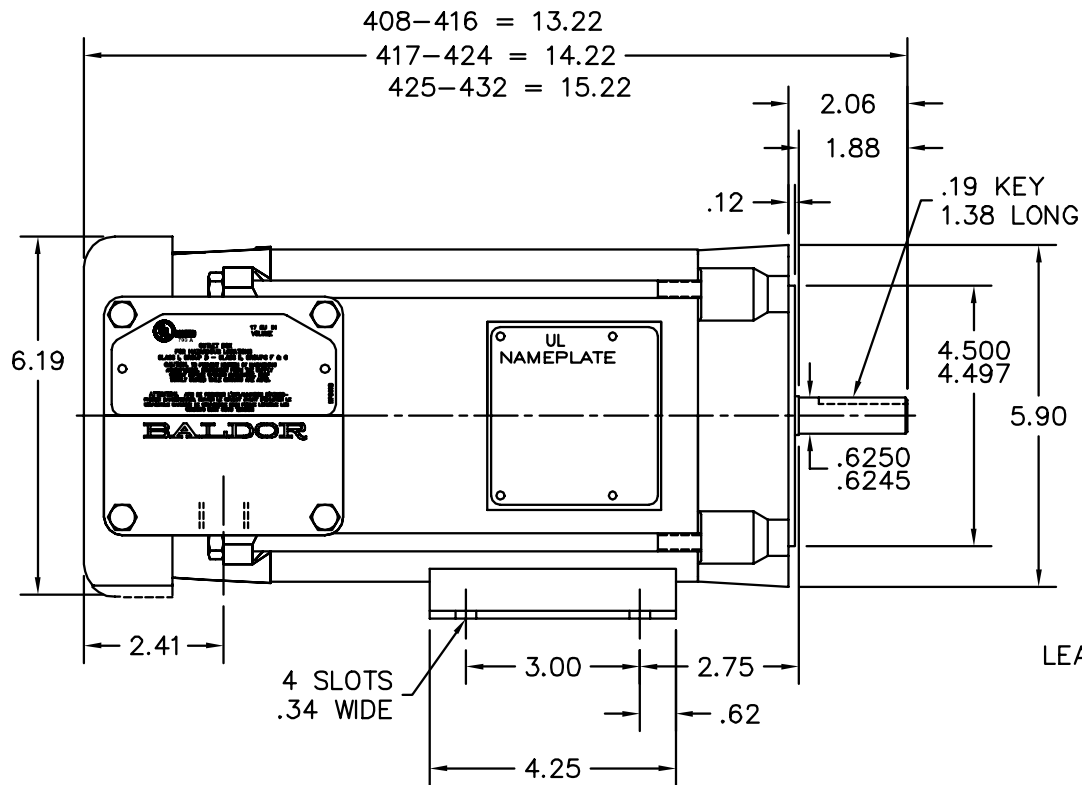


34LY5331



CUSTOMER IS RESPONSIBLE FOR DETERMINING THAT BALDOR'S PRODUCT WILL PERFORM SUITABLY IN THE INTENDED APPLICATION.

REV. DESC: UPDATE DWG		
REV. LTR: J	VERSION: 05	TDR: 00000918748
FILE: \AAA\00026\668	REVISED: 10:29:41 04/07/2015	BY: ENJERWO
MTL: -		

BALDOR

HORZ X34M 56C XPFC CL-I GP-D, CL-II GP-F&G, .50 NPT LEAD
 SH 1 of 1

34LY5331