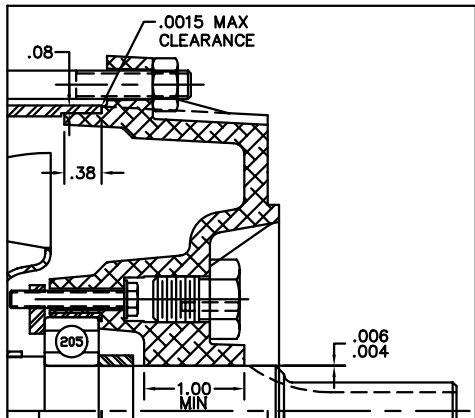
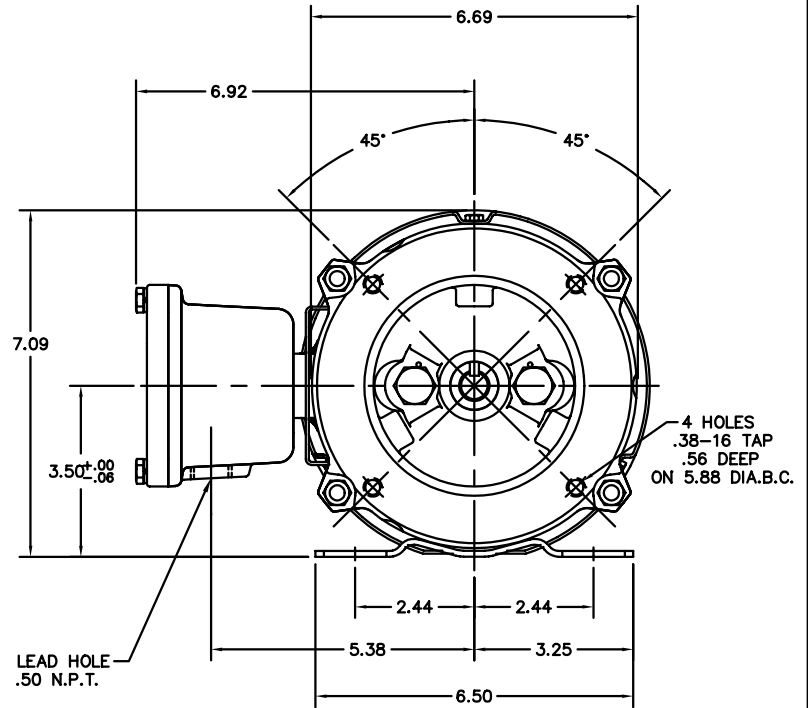
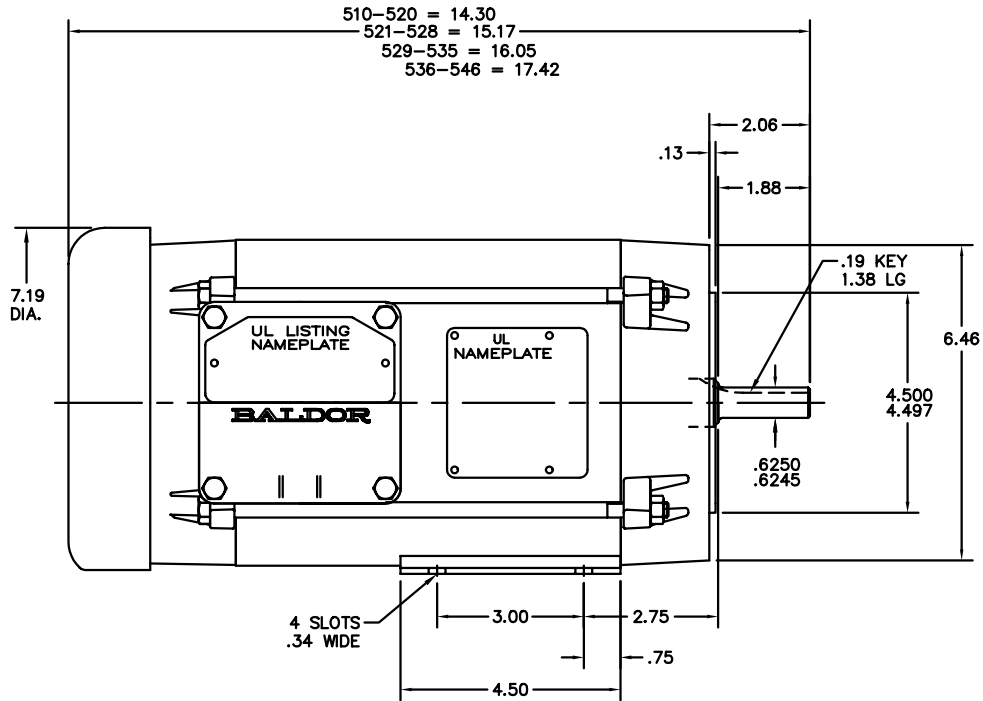


35E368



UL CLASS I - GROUP D & CLASS II - GROUPS F & G

CUST. NAME					CUST. P.O.					REMARKS:				
MODEL	INSUL	AMB	H.P.	MTG	REV: J	ADDED TIGHT SLEEVE TO SECTION VIEW (SEE EC09)								
R.P.M.	VOLTS	ENCL	PHASE	FREQ	SCALE: .4	BY: JED				REVISED: 02/06/97				
FRAME	TYPE	CERTIFIED BY			FILE: AAA00005332					TDR: 0114273				

BALDOR ELECTRIC Co.

HORZ 56C XPFC 35M CL I-GP D-CL II-GP F&G

35E368