

# DUTY MASTER ALTERNATING CURRENT MOTORS

SQUIRREL-CAGE INDUCTION

1800 RPM MAX

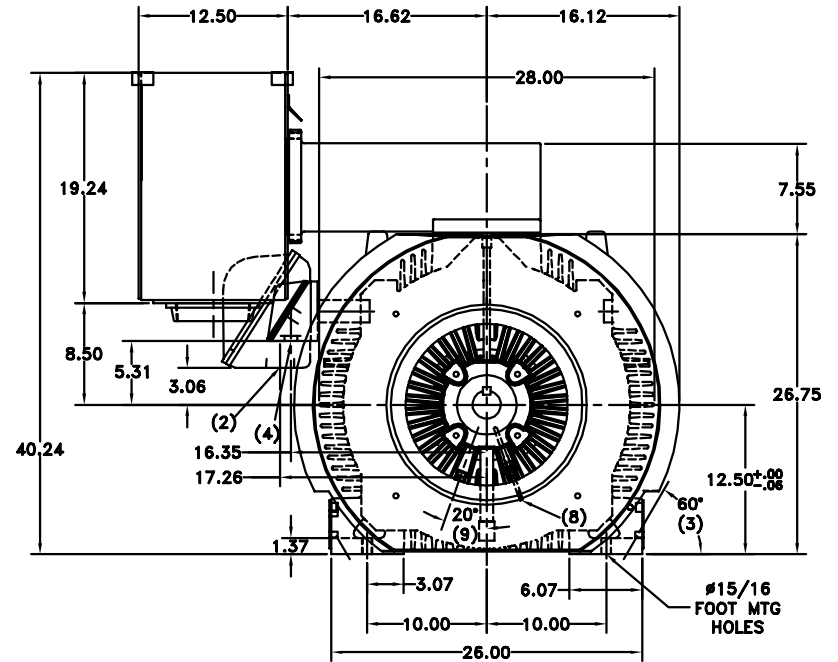
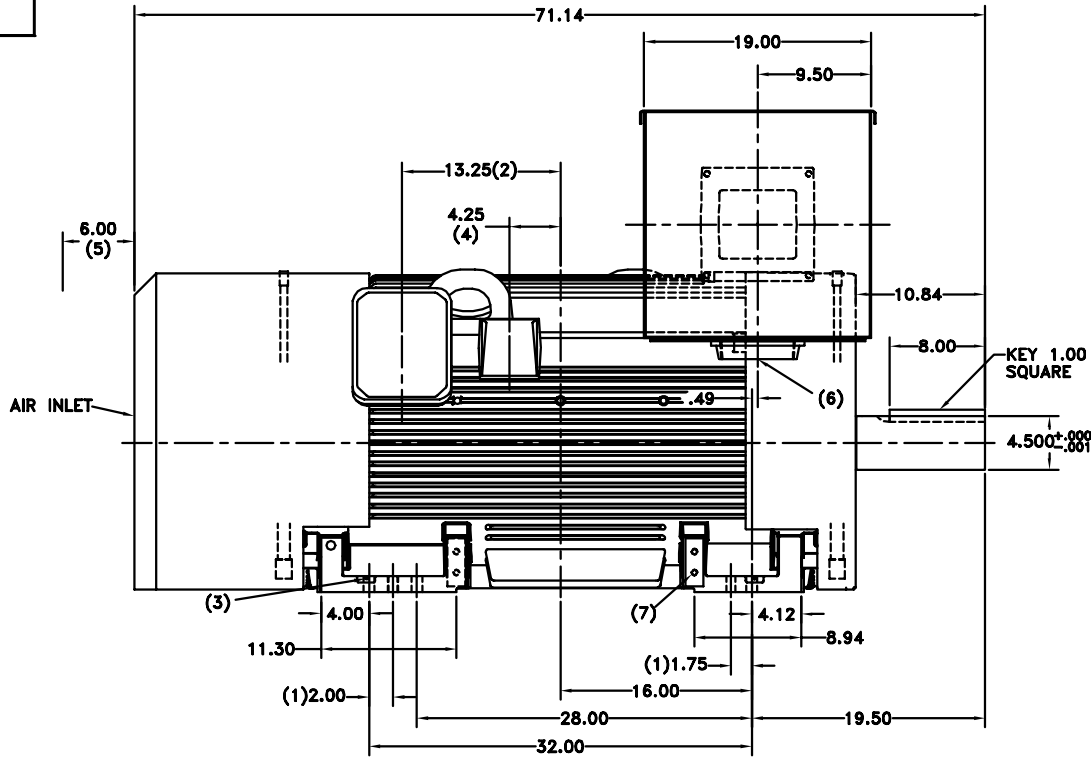
FRAME G5010Y (BELTED DUTY)

INCLUDES 5009 FRAME MOUNTING HOLES

ENCLOSURE: TOTALLY ENCLOSED

MOUNTING: FOOT

COOLING: FAN COOLED  
ANTI-FRICTION BEARINGS  
ENGLISH HARDWARE  
OVERSIZE CONDUIT BOX



- 1) (4) 3/4-10 JACKSCREW HOLES.
- 2) 2.0" N.P.T. FOR WINDING TEMPERATURE DETECTOR LEADS.
- 3) 11/32 DOWEL PIN PILOT HOLES, 1 HOLE EACH FOOT.
- 4) 3/4 N.P.T. FOR MOTOR SPACE HEATER LEADS.
- 5) WALL OR OBSTRUCTION MUST NOT ENCR OACH ON AIR INLET SPACE.
- 6) 6.0" N.P.T. FOR MOTOR POWER LEADS.
- 7) TWO GROUND PADS DIAGONALLY OPPOSITE EACH OTHER WITH TWO 1/2-13 TAPPED HOLES IN EACH.
- 8) DRIVE END GROUND PROBE.
- 9) 1/8" N.P.T. PROVISIONS FOR BEARING TEMPERATURE DETECTOR.

ALL DIMENSIONS ARE IN INCHES

CUSTOMER IS RESPONSIBLE FOR DETERMINING THAT BALDOR'S PRODUCT WILL PERFORM SUITABLY IN THE INTENDED APPLICATION.

CONDUIT BOX LOCATED ON OPPOSITE SIDE WHEN F-2 MOUNTING IS SPECIFIED.  
IF MOUNTING CLEARANCE DETAILS ARE REQUIRED, CONSULT FACTORY.  
MAXIMUM PERMISSIBLE SHAFT RUNOUT WHEN MEASURED AT END OF SHAFT IS .003 TIR.  
MAXIMUM WEIGHT = 5550 LBS.

REV. DESC: UPDTE NOTE 1&3 TO ENGLISH		
REV. LTR: A	VERSION: 01	TDR: 000000942163
FILE: \RSN\00030\238	REVISED: 09:21:05 09/02/2015	BY: RSNJEP
MTL: -		

**BALDOR**

G5010,TEFC,S/N,BLTD,1800,A/F,F1,19X19X12,U=4.500,XBA=19.50

SH 1 of 2