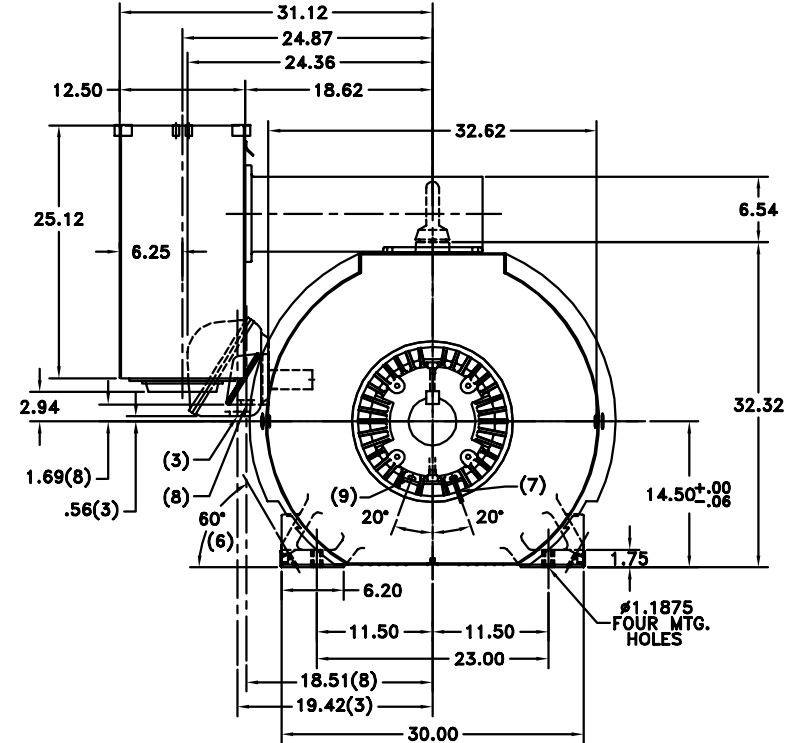
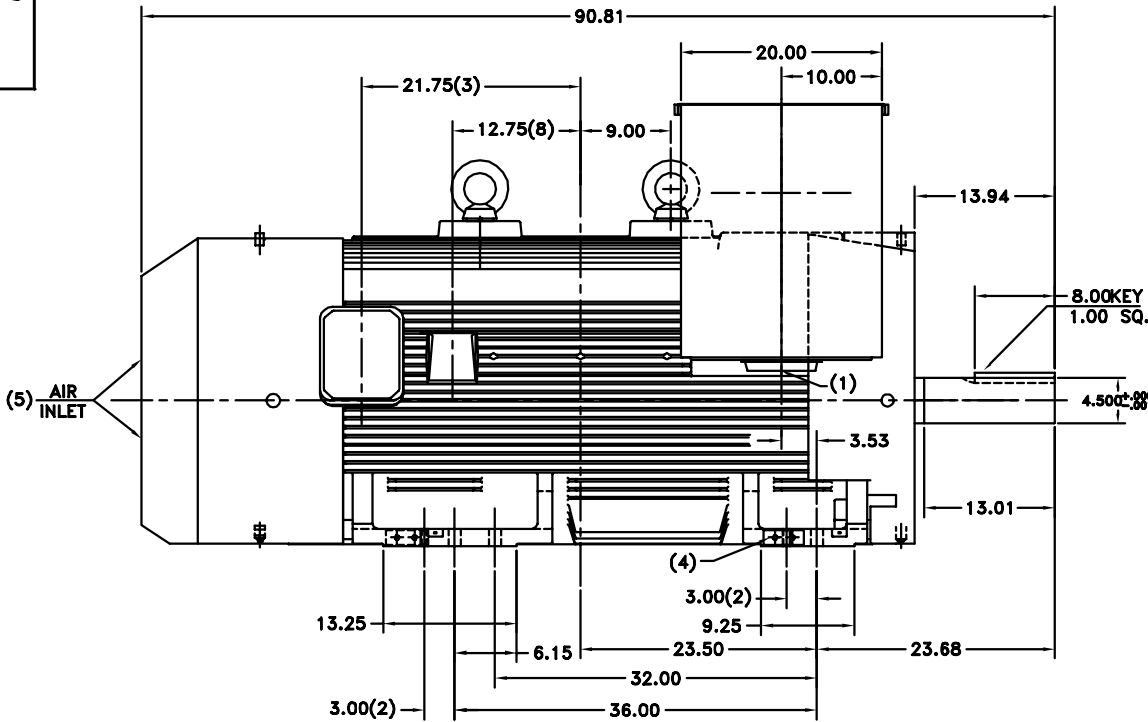


# DUTY MASTER ALTERNATING CURRENT MOTORS

ENCLOSURE: TOTALLY ENCLOSED  
 COOLING: FAN COOLED  
 MOUNTING: FOOT

SQUIRREL-CAGE INDUCTION  
 1800 RPM MAX  
 FRAME G5810Y(BELTED DUTY)

ANTI-FRICTION BEARINGS  
 ENGLISH HARDWARE  
 SPECIAL SHAFT EXT.



- (1) 6.0" N.P.T. FOR CUSTOMER POWER LEADS.
- (2) (4) 3/4-10 JACKSCREW HOLES.
- (3) 2.0" N.P.T. FOR WINDING TEMPERATURE DETECTOR LEADS.
- (4) TWO GROUND PADS DIAGONALLY OPPOSITE EACH SIDE, WITH TWO 1/2-13 TAPPED HOLES IN EACH.
- (5) WALL OR OBSTRUCTION MUST NOT ENCROACH ON AIR INLET SPACE.
- (6) 1/4" HOLE PROVISIONS FOR DOWEL PINS, ONE HOLE EACH FOOT.
- (7) DRIVE END GROUND PROBE.
- (8) 3/4" N.P.T. FOR MOTOR SPACE HEATER LEADS.
- (9) 1/8" N.P.T. PROVISIONS FOR BEARING TEMPERATURE DETECTOR.

DIMENSIONS ARE IN INCHES

CONDUIT BOX LOCATED ON OPPOSITE SIDE WHEN F-2 MOUNTING IS SPECIFIED. IF MOUNTING CLEARANCE DETAILS ARE REQUIRED, CONSULT FACTORY.

MAXIMUM PERMISSIBLE SHAFT RUNOUT WHEN MEASURED AT END OF STD. SHAFT EXTENSION IS .003 T.I.R. MAXIMUM WEIGHT = 10,000 LBS.

CUSTOMER IS RESPONSIBLE FOR DETERMINING THAT BALDOR'S PRODUCT WILL PERFORM SUITABLY IN THE INTENDED APPLICATION.

REV. DESC: CHNAGE SHAFT DIM. TO +.000/- .001		
REV. LTR: A	VERSION: 01	TDR: 000000872077
FILE: \RSN\00029\835	REVISED: 01:29:11 11/06/2014	BY: RSNJEP
MTL: -		

**BALDOR**

G5810,TEFC,S/N,BLTD,1200,A/F,F1,20X25X12 U=4.500,XBA=23.68

SH 1 of 2