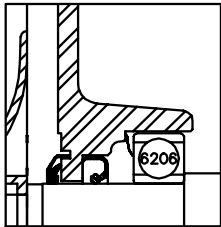
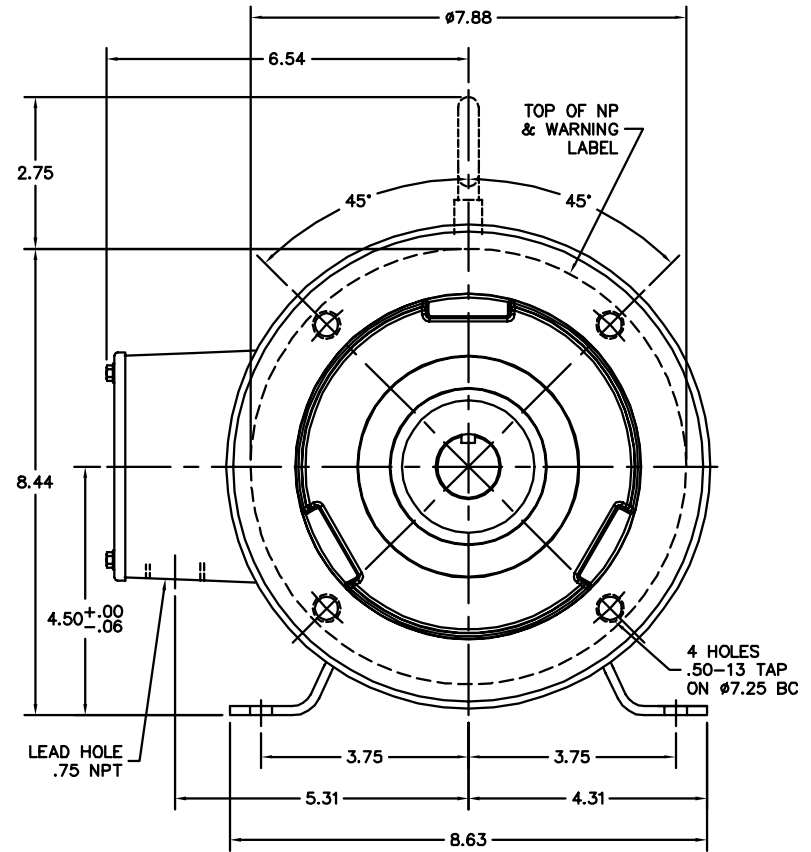
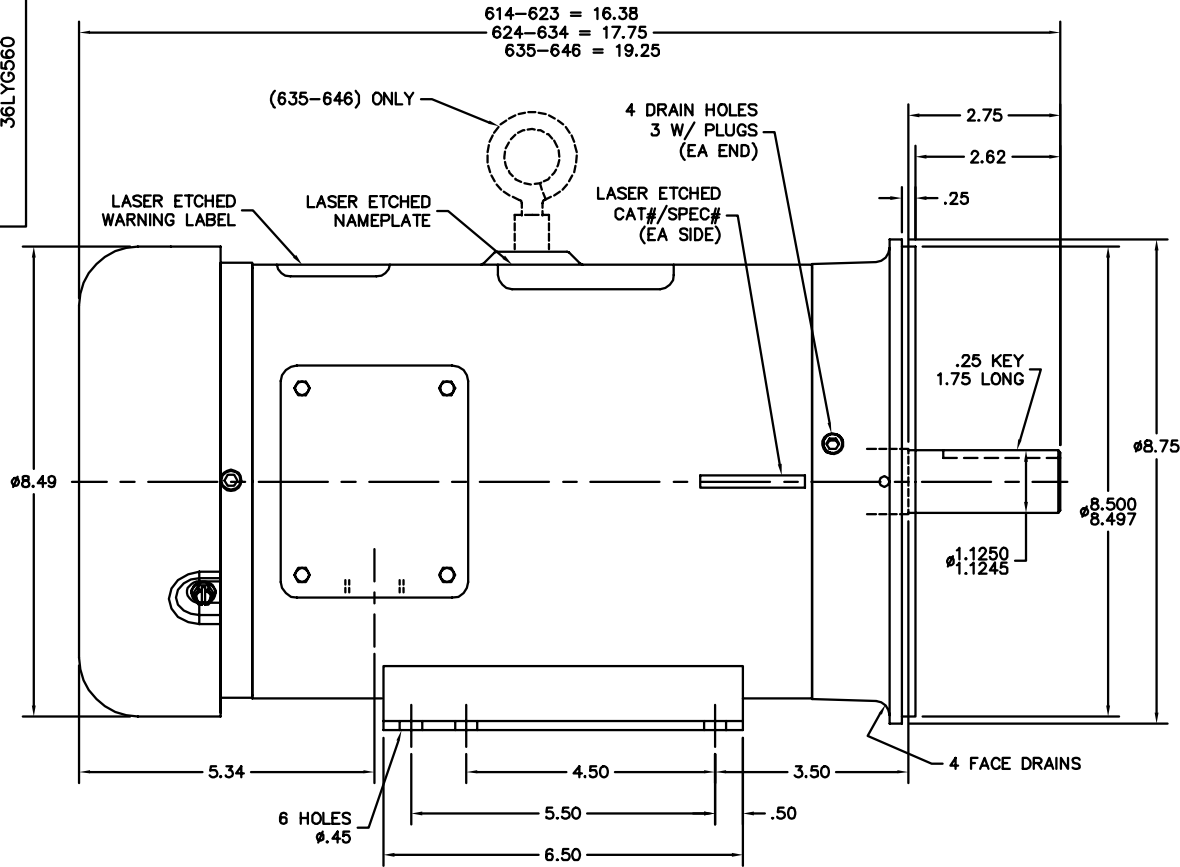
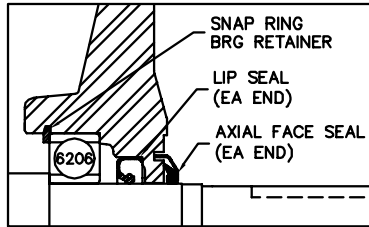


36LYG560



FRONT END DETAIL



PULLEY END DETAIL

CUSTOMER IS RESPONSIBLE FOR DETERMINING THAT BALDOR'S PRODUCT WILL PERFORM SUITABLY IN THE INTENDED APPLICATION.

REV. DESC: CHG TO SHOW 4 FACE DRAINS	VERSION: 02	TDR: 00000748681
REV. LTR: B	REVISED: 10:49:17 07/09/2012	BY: ENWINBO
FILE: \AAA\00177\171	MTL: -	

BALDOR

STD HOR 182-4TC TEFC M WD10

SH 1 of 1

36LYG560