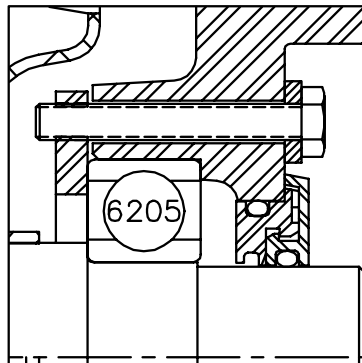


FRONT END DETAIL



PULLEY END DETAIL

CUSTOMER IS RESPONSIBLE FOR DETERMINING THAT MOTOR PERFORMANCE IS SUITABLE IN THE APPLICATION.

REV. DESC: NEW			
REV. LTR: -	VERSION: 00	TDR: 000000399337	
018ΛΛ79Σ	FILE: \AAA\00137\768	REVISED: 11:06:24 06/29/2006	
	MTL: -	BY: ENBRYPO	

BALDOR ELECTRIC Co.

HOR 56C TEFC 35M WD4 W/LOCKED PU BRG & LASER ETCHED BAND