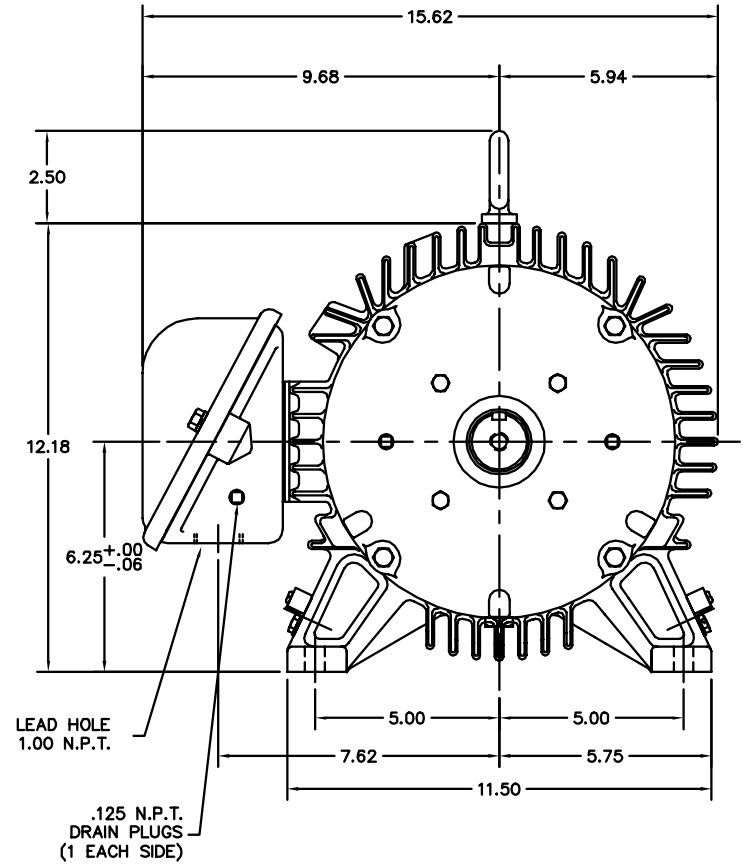


NOTE:
FOR VERTICAL SHAFT UP LIFTING,
REMOVE EYE BOLT FROM TOP OF MOTOR
AND SCREW INTO END OF SHAFT



CUSTOMER IS RESPONSIBLE FOR DETERMINING THAT MOTOR PERFORMANCE IS SUITABLE IN THE APPLICATION.

REV. DESC: UPDATE KOBX LID		
REV. LTR: A	VERSION: 01	TDR: 000000430517
FILE: \AAA\00136\909	REVISED: 08:54:43 05/14/2007	BY: ENMATRO
MTL: -		

BALDOR ELECTRIC Co.

HORZ 254-6T TEAO CP COOLING TOWER, SLD BRGS, 2.188 DIA ROTOR