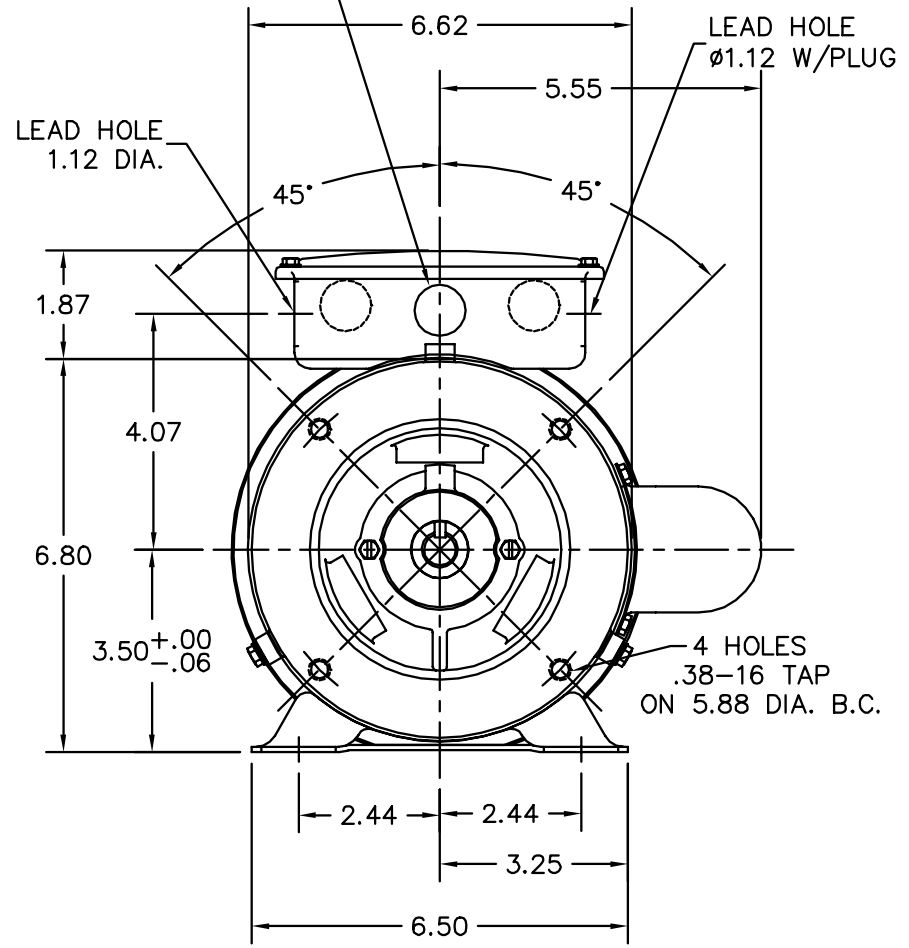
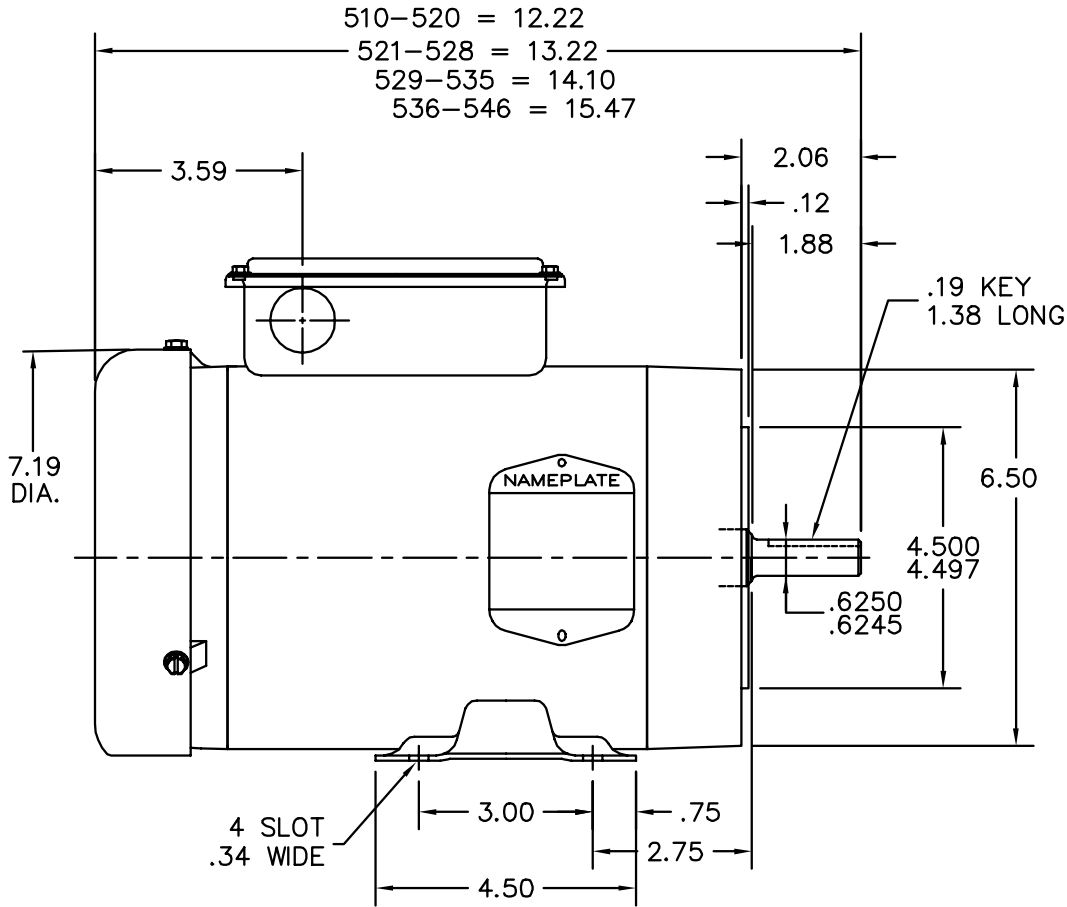


1 X Ø.88 KNOCKOUT (PU. END)  
 2 X Ø.88 KNOCKOUTS (FR. END)



CUSTOMER IS RESPONSIBLE FOR DETERMINING THAT MOTOR PERFORMANCE IS SUITABLE IN THE APPLICATION.

|                |                      |                                |
|----------------|----------------------|--------------------------------|
| REV. DESC: NEW |                      |                                |
| REV. LTR: -    | VERSION: 00          | TDR: 000000448458              |
| 190XΛ79ε       | FILE: \AAA\00152\745 | REVISED: 15: 46: 26 12/03/2007 |
|                | MTL: -               | BY: ENALEMO                    |

**BALDOR • DODGE • RELIANCE**

HOR 56C TEFC 35L F3 CAP @3, W/35CB4007 @ 12