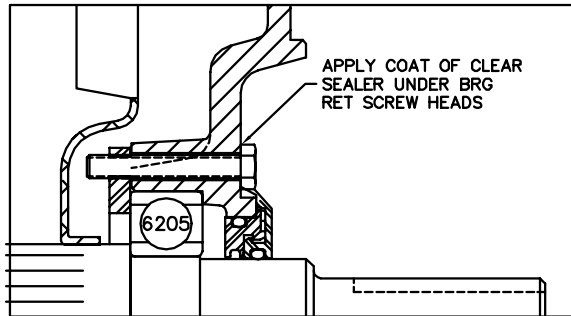


FRONT END DETAIL



PULLEY END DETAIL

CUSTOMER IS RESPONSIBLE FOR DETERMINING THAT BALDOR'S PRODUCT WILL PERFORM SUITABLY IN THE INTENDED APPLICATION.

REV. DESC: CHG KEYWAY FROM FULL LNTH TO 1.5" USABLE		
REV. LTR: B	VERSION: 02	TDR: 00000771135
FILE: \AAA\00126\558	REVISED: 09:40:58 10/31/2012	BY: ENCARJO
MTL: -		

**BALDOR**

HORZ 56C TEFC M WD3 (S/P009-003-000)

SH 1 of 1