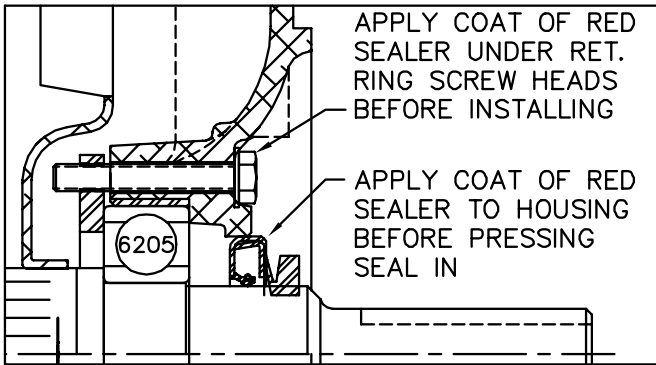


FRONT END DETAIL



PULLEY END DETAIL

CUSTOMER IS RESPONSIBLE FOR DETERMINING THAT BALDOR'S PRODUCT WILL PERFORM SUITABLY IN THE INTENDED APPLICATION.

REV. DESC: SHOW FACE DRAIN IN PUEP IN THE RIGHT VIEW		
REV. LTR: Y	VERSION: 04	TDR: 00000712381
FILE: \AAA\00011\467	REVISED: 12:07:47 09/15/2011	
MTL: -	BY: ENTRUV0	

BALDOR

STD HORZ 56C TEFC 35L WD (S/P 9)

SH 1 of 1

35LYJ306