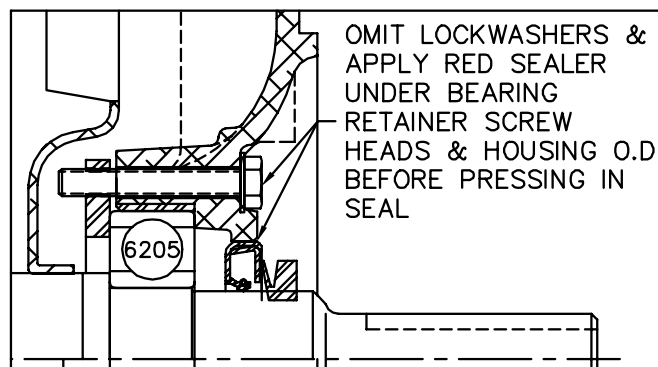


FRONT END DETAIL



PULLEY END DETAIL

CUSTOMER IS RESPONSIBLE FOR DETERMINING THAT BALDOR'S PRODUCT WILL PERFORM SUITABLY IN THE INTENDED APPLICATION.

REV. DESC: UPDATE NOTES & STD DIMS			
REV. LTR: B	VERSION: 02	TDR: 00000769111	
FILE: \AAA\00092\880		REVISED: 02:16:08 10/12/2012	
MTL: -		BY: ENBRAMO	

BALDOR

STD HORZ 56C TEFC 35L WD (S/P #9)

SH 1 of 1