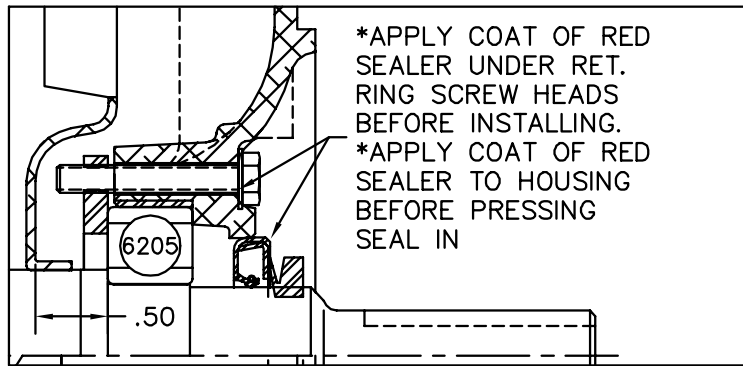


FRONT END DETAIL



PULLEY END DETAIL

CUSTOMER IS RESPONSIBLE FOR DETERMINING THAT BALDOR'S PRODUCT WILL PERFORM SUITABLY IN THE INTENDED APPLICATION.

REV. DESC: CHG SLINGER ON FR END TO V-RING		
REV. LTR: D	VERSION: 04	TDR: 00000783411
FILE: \AAA\00111\597	REVISED: 02:48:53 02/20/2013	
MTL: -	BY: ENVINWO	

BALDOR

HORZ 56C TEFC 35L WD (2 POLE) "W" BASE

SH 1 of 1