

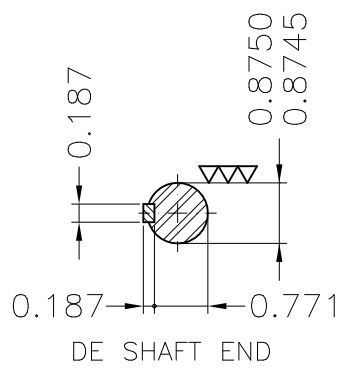
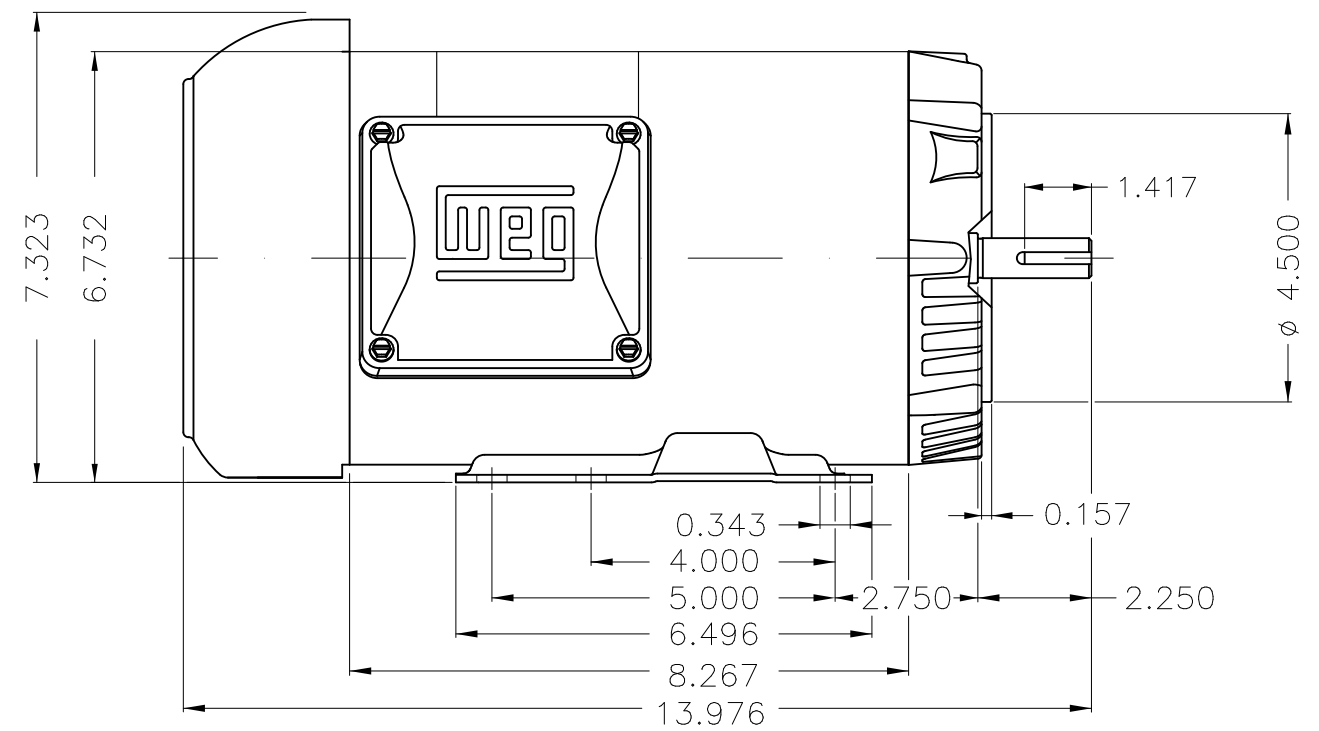
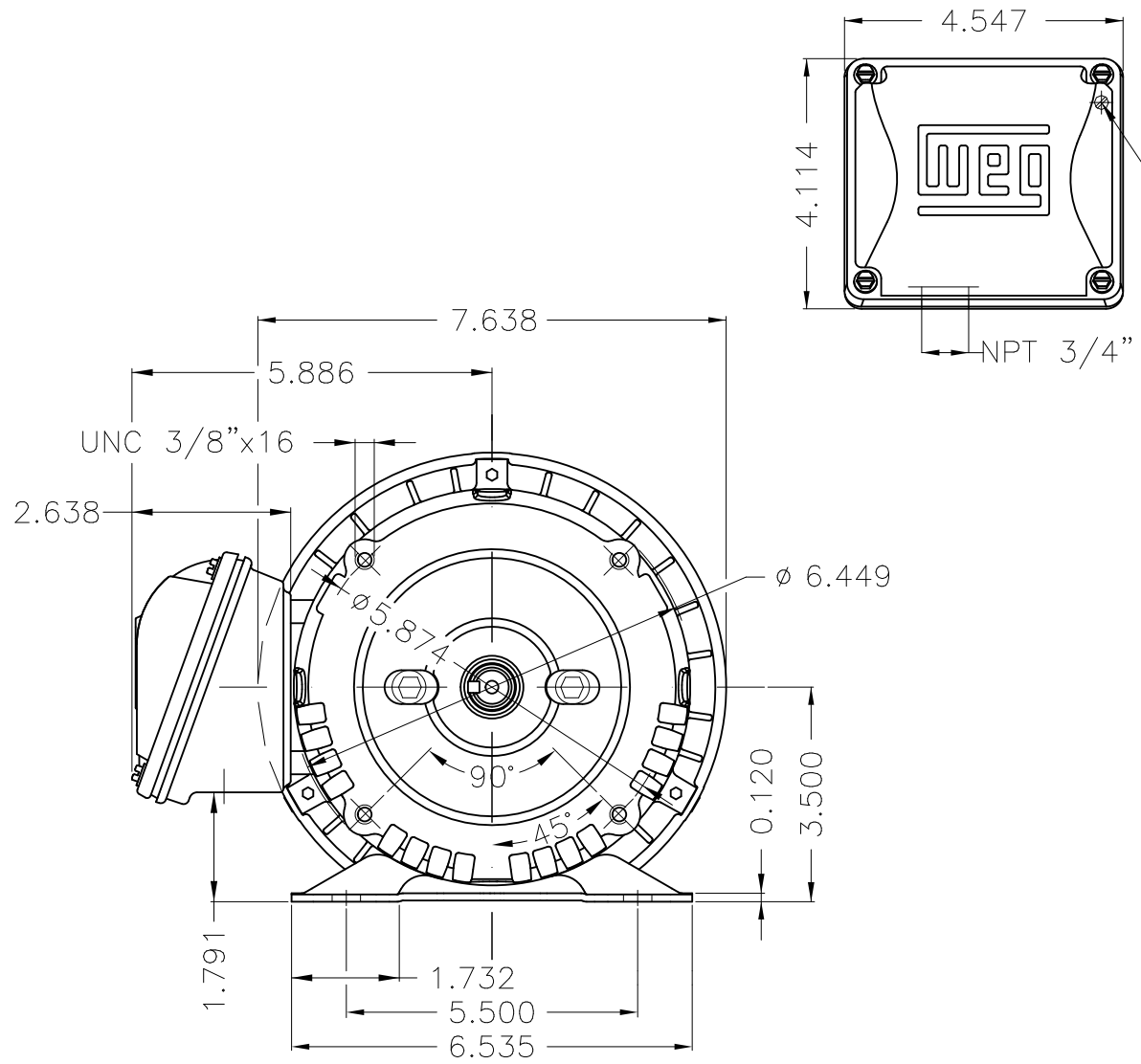
A

B

C

D

E



- Permatex sealed endshields
- 2RS NDE ball bearing
- 2RS DE ball bearing
- Class F insulation - 80K temperature rise
- Sealing - Stainless steel viton oil seal ring
- Duty S1
- Shaft material - stainless steel AISI 304
- AISI 304 stainless steel nameplates
- Painting plan 205E
- Service factor 1.15
- Mounting F-1/B34R(D)

New document		PIRWUSER	KEVINOMAR	KEVINOMAR	26.06.2023	00		
ECM	LOC	SUMMARY OF MODIFICATIONS		EXECUTED	CHECKED	RELEASED	DATE	VER
EXECUTED	PIRWUSER	THREE PH. MOTOR ROLLED STEEL HYDROWASH NEMA PREMIUM EFF. FRAME 143/5TC IP56 TEFC		1394029008	WDD	00		
CHECKED	KEVINOMAR							
RELEASED	KEVINOMAR							
REL. DATE	26.06.2023	WMX	Huehuetoca	Product Engineering	SHEET	1 / 1		

2 HP 04 Poles 60 Hz

421903314

A