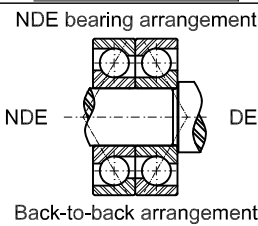
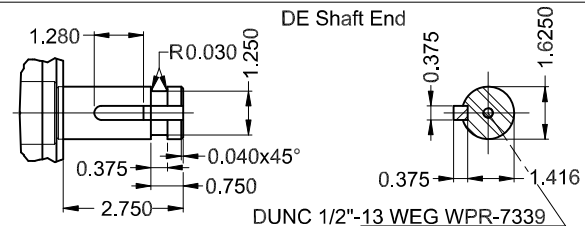
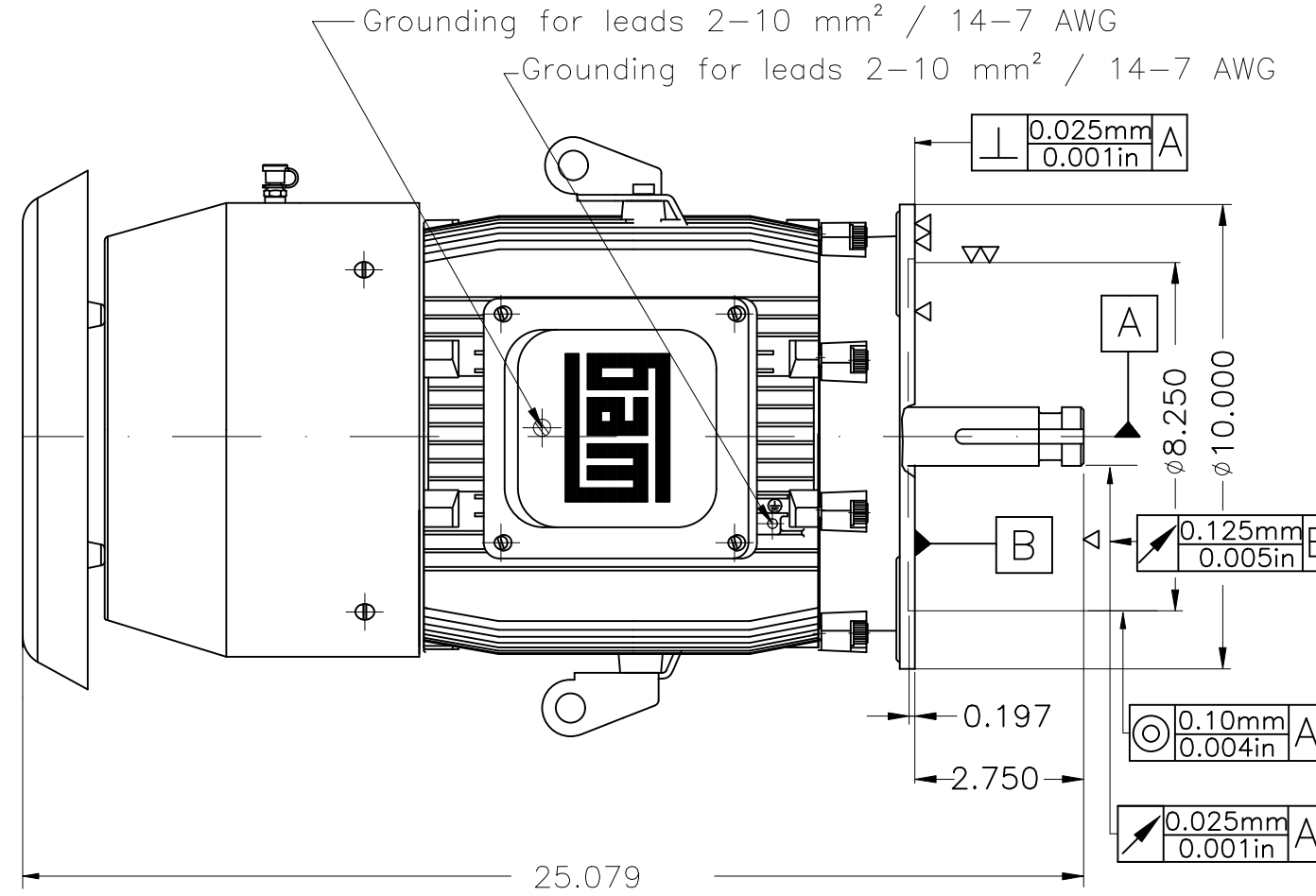
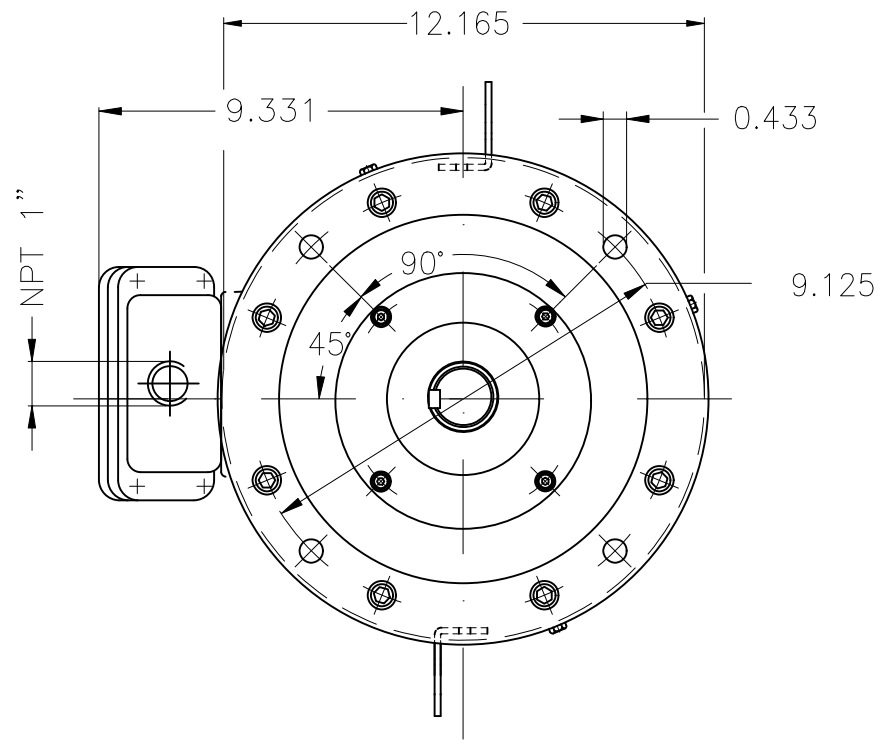


ATENÇÃO/ATTENTION
 MOTOR DEVE SER LIGADO APENAS NA POSIÇÃO VERTICAL
 MOTOR MUST BE ENERGIZED ONLY IN THE VERTICAL POSITION



- Type "T" threaded drain plug
- Permatex on the screws
- Special balancing with half key
- Stainless Steel Grease fitting
- Tropicalized internal painting according to IEEE841
- Double grounding
- Grease outlet according to IEEE841
- Fan coated with epoxy coating
- Sealing - INPRO/SEAL
- Tirrol oil applied on endshields fittings
- Color RAL 5009
- Painting plan 202E
- Mounting NEMA W-6
- Mounting V1

	Bearing		Lubricant	
	DE	6309	MOBIL POLYREX EM	
NDE	7306BECB	MOBIL POLYREX EM		

10 HP 02 Poles 60 Hz A

NEMSCO - BATON ROUGE

PCR:100000286802		IGORMB	LEDUARDO	LEDUARDO	07.02.2025	02		
INITIAL ISSUE - CLAIM 422505813		CRISLAINE	CRISLAINE	JESSICA	11.12.2024	01		
ECM	LOC	SUMMARY OF MODIFICATIONS		EXECUTED	CHECKED	RELEASED	DATE	VER
EXECUTED	CRISLAINE	THREE PH. MOTOR IN LINE EXTRA THRUST NEMA PREM. EFF. FRAME 215LP IP55 TEFC	1598332872					
CHECKED	CRISLAINE							
RELEASED	MATEUSPR							
REL. DATE	03.10.2024	WMO	JARAGUA DO SUL	[Engenharia de Produto]	SHEET	1 / 1		