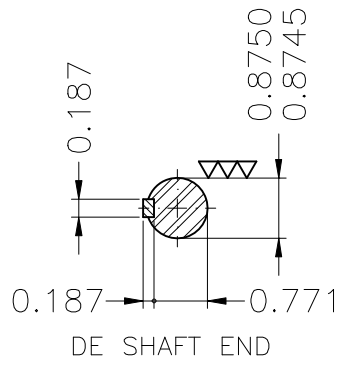
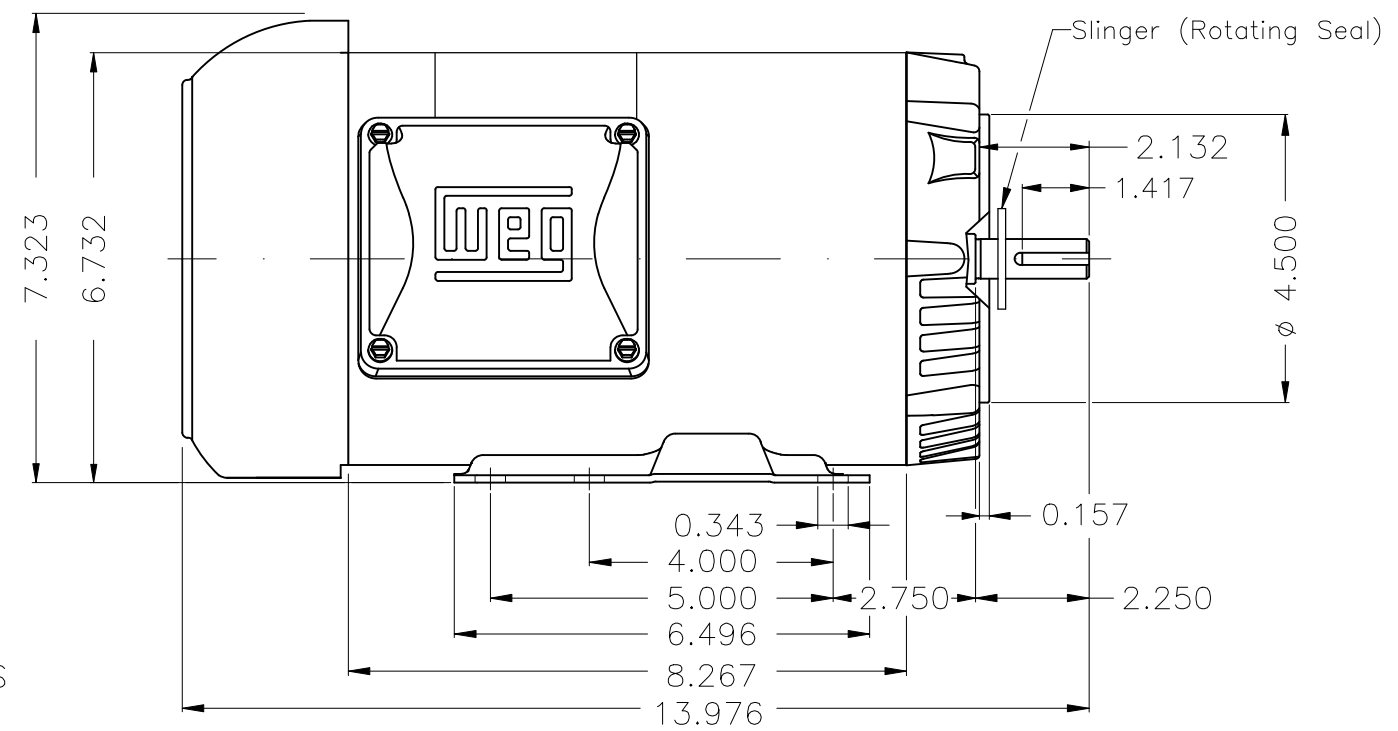
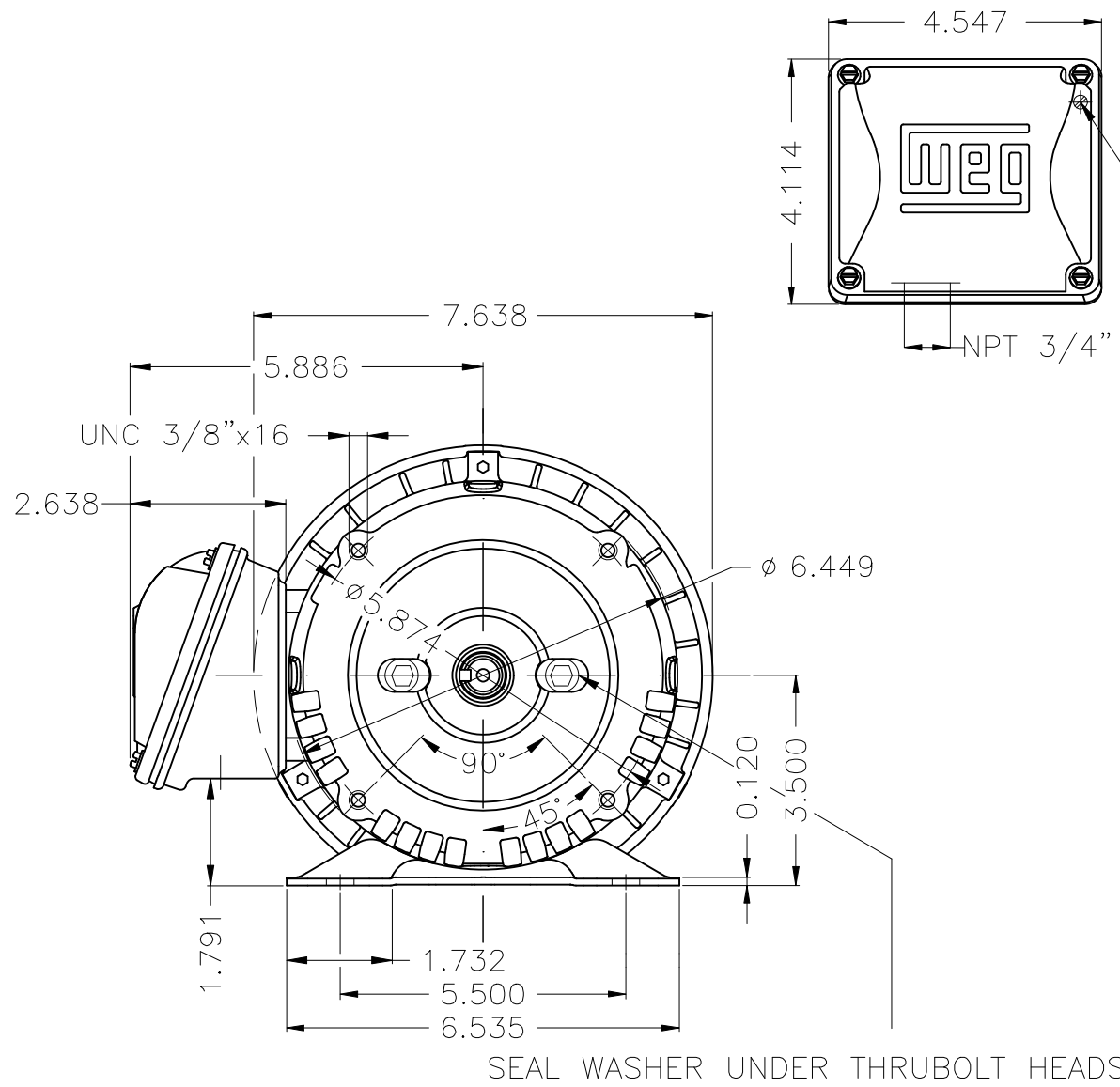


1 2 3 4 5 6

A
B
C
D
E



- Permatex sealed endshields
- 2RS NDE ball bearing
- 2RS DE ball bearing
- Class F insulation - 80K temperature rise
- Sealing - Stainless steel viton oil seal ring
- Duty S1
- Shaft material - stainless steel AISI 304
- AISI 304 stainless steel nameplates
- Painting plan 205E
- Service factor 1.15
- Mounting F-1/B34R(D)

WEG ELECTRIC CORPORATION - WEC

New drawing		OSCARFLORES	RAMIREZC	KEVINOMAR	28.02.2024	00		
ECM	LOC	SUMMARY OF MODIFICATIONS		EXECUTED	CHECKED	RELEASED	DATE	VER
EXECUTED	OSCARFLORES	THREE PH. MOTOR ROLLED STEEL HYDROWASH NEMA PREMIUM EFF		1497003063				
CHECKED	RAMIREZC	FRAME 143/5TC IP56 TEFC						
RELEASED	KEVINOMAR							
REL. DATE	28.02.2024	WEG	HUEHUETOCA	[Ventas Exportacion]	WDD	00		
				SHEET	1 / 1			

2 HP 04 Poles 60 Hz

422160278

A



Dimensions in inches XME A3