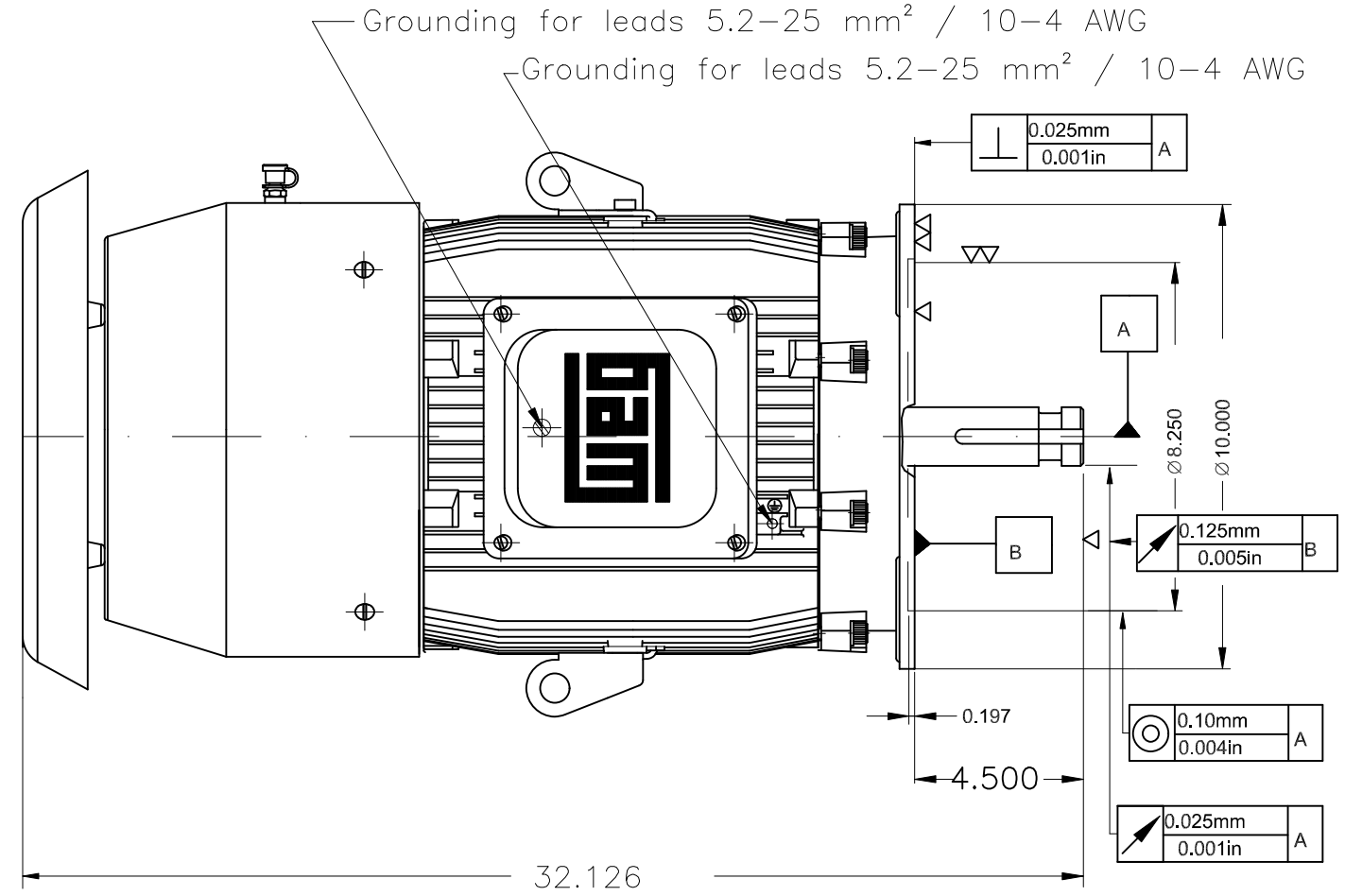
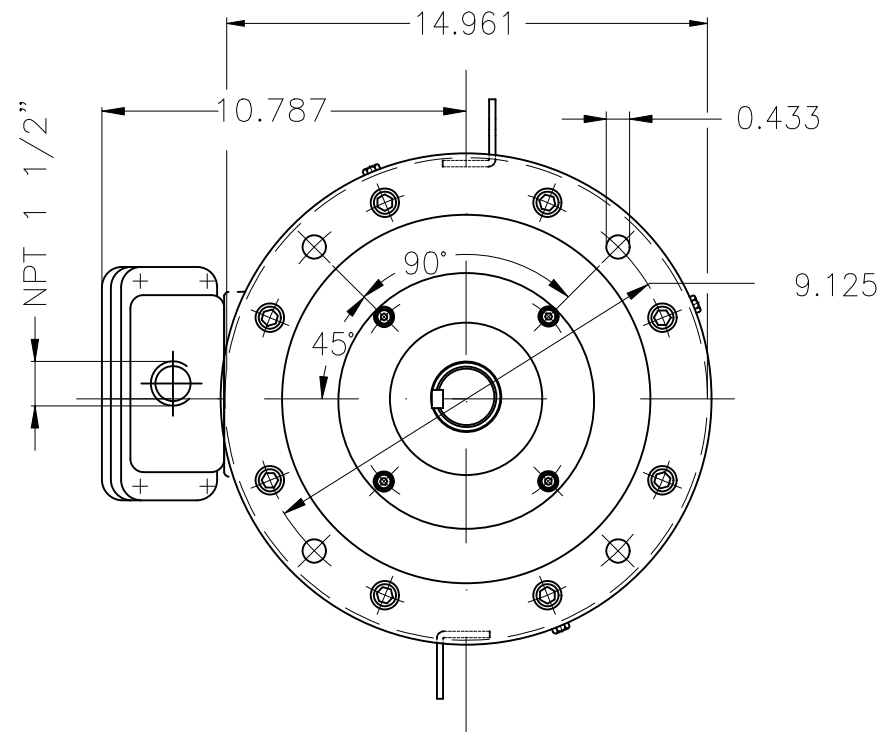
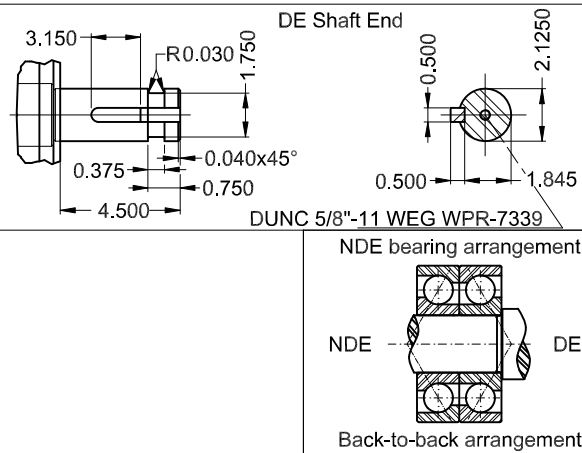


**ATENÇÃO/ATTENTION**  
 MOTOR DEVE SER LIGADO APENAS NA POSIÇÃO VERTICAL  
 MOTOR MUST BE ENERGIZED ONLY IN THE VERTICAL POSITION



- Design B
- Type "T" threaded drain plug
- Fan cover - steel plate
- Permatex on the screws
- Special balancing with half key
- Stainless Steel Grease fitting
- Plastic flat plug
- Class F insulation - 80K temperature rise
- Tropicalized internal painting according to IEEE841
- Rotation CW and CCW
- Dipping impregnation - polyester
- Grease outlet according to IEEE841
- Aluminum fan
- Bearing cap
- Certification CSA/UL
- Fan coated with epoxy coating
- Sealing - INPRO/SEAL
- Tirrol oil applied on endshields fittings
- Color RAL 5009
- Painting plan 202E
- Mounting NEMA W-6
- Mounting V1



Bearing		Lubricant	
DE	6212	MOBIL POLYREX EM	
NDE	7310BECB	MOBIL POLYREX EM	

25 HP 02 Poles 60 Hz A

**NEMSCO - BATON ROUGE**

UPD BEARING DETAIL 422550620		SCARMAGNANI	SCARMAGNANI	NOERNBERG	07.02.2025	04		
PCR:100000282337		IGORMB	LEDUARDO	LEDUARDO	14.01.2025	03		
ECM	LOC	SUMMARY OF MODIFICATIONS		EXECUTED	CHECKED	RELEASED	DATE	VER
EXECUTED	SCARMAGNANI	THREE PH. MOTOR IN LINE EXTRA THRUST NEMA PREM. EFF.		1608219362				
CHECKED	GUILHERMEMC	FRAME 284LP IP55 TEFC		WDD		04		
RELEASED	GUILHERMEMC			REL. DATE		07.11.2024		
REL. DATE	07.11.2024	WMO	JARAGUA DO SUL	[Engenharia de Produto]	SHEET	1 / 1		

CERTIFIED WEG MOTORES - Certified document. Not subject to changes.

Dimensions in inches

XME A3