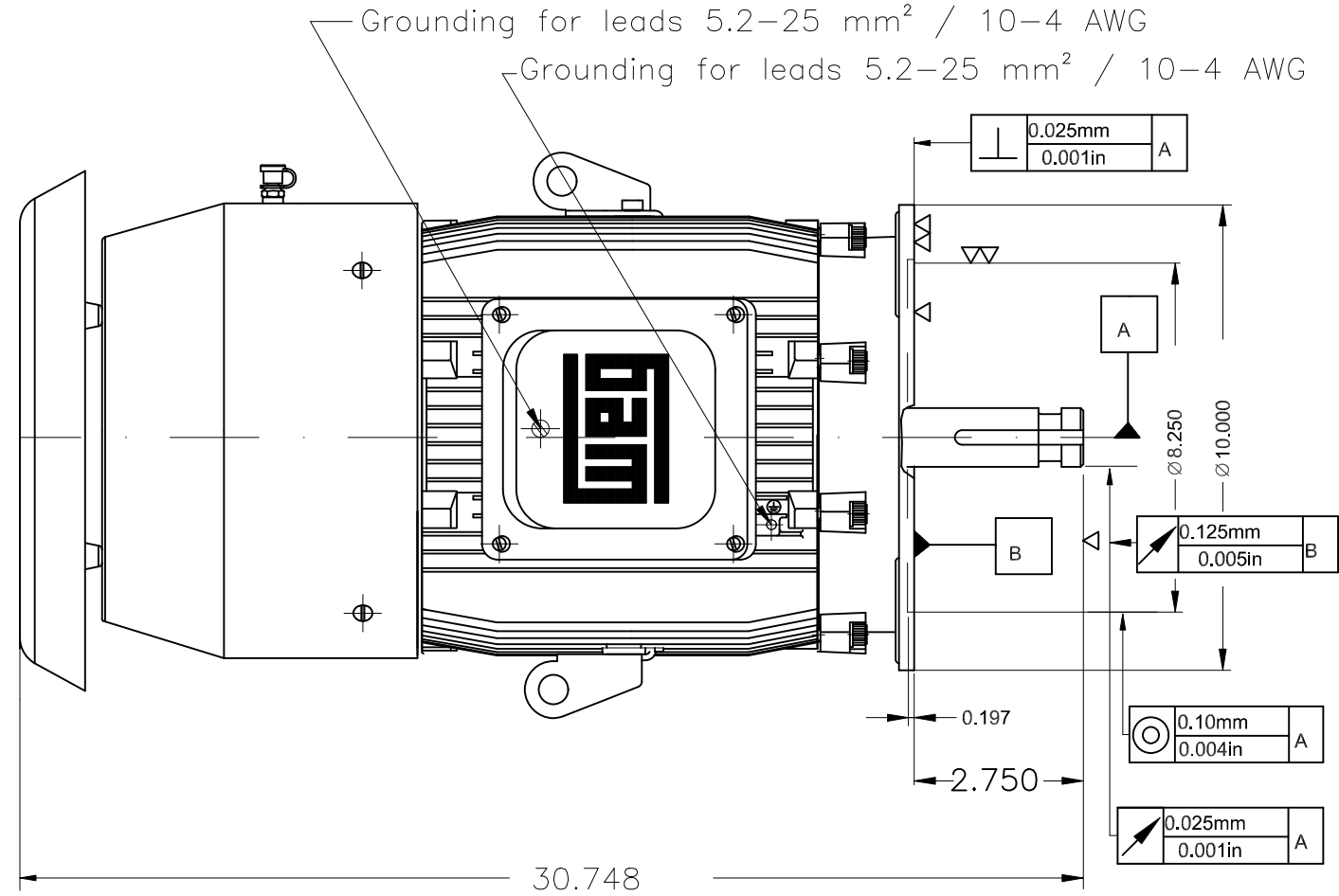
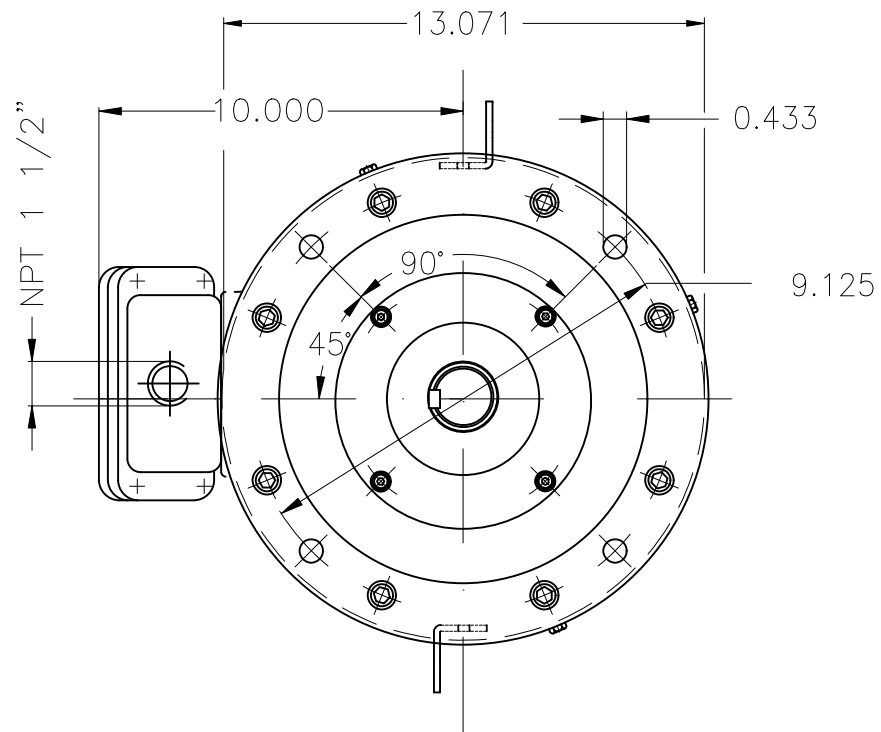
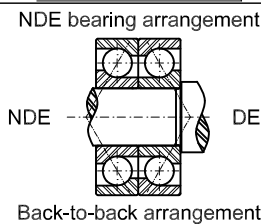
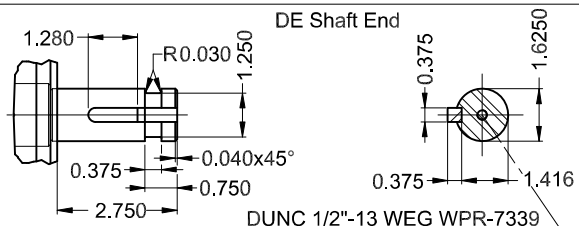


ATENÇÃO/ATTENTION
 MOTOR DEVE SER LIGADO APENAS NA POSIÇÃO VERTICAL
 MOTOR MUST BE ENERGIZED ONLY IN THE VERTICAL POSITION



- Design B
- Type "T" threaded drain plug
- Fan cover - steel plate
- Permatex on the screws
- Stainless Steel Grease fitting
- Plastic flat plug
- Class F insulation - 80K temperature rise
- Tropicalized internal painting according to IEEE841
- Rotation CW and CCW
- Dipping impregnation - polyester
- Grease outlet according to IEEE841
- Aluminum fan
- Bearing cap
- Certification CSA/UL
- Fan coated with epoxy coating
- Sealing - INPRO/SEAL
- Tirroil oil applied on endshields fittings
- Color RAL 5009
- Painting plan 202E
- Mounting NEMA W-6
- Mounting V1



		Bearing		Lubricant	
DE	6309	MOBIL POLYREX EM			
NDE	7309BECB	MOBIL POLYREX EM			
20 HP 02 Poles 60 Hz					
NEMSCO - BATON ROUGE					
UPD BEARING DETAIL 422550622			SCARMAGNANI	SCARMAGNANI	NOERNBERG
UPD BEARING DETAIL 422550622			IGORMB	JESSICA	JESSICA
ECM	LOC	SUMMARY OF MODIFICATIONS	EXECUTED	CHECKED	RELEASED
EXECUTED	SCARMAGNANI	THREE PH. MOTOR IN LINE EXTRA THRUST NEMA PREM. EFF.	1608216733		
CHECKED	GUILHERMEMC	FRAME 256LP IP55 TEFC	WDD	03	
RELEASED	GUILHERMEMC				
REL. DATE	07.11.2024	WMO	JARAGUA DO SUL	[Gestao Ordens Exportacao]	SHEET 1 / 1

CERTIFIED WEG MOTORES - Certified document. Not subject to changes. Dimensions in inches XME A3