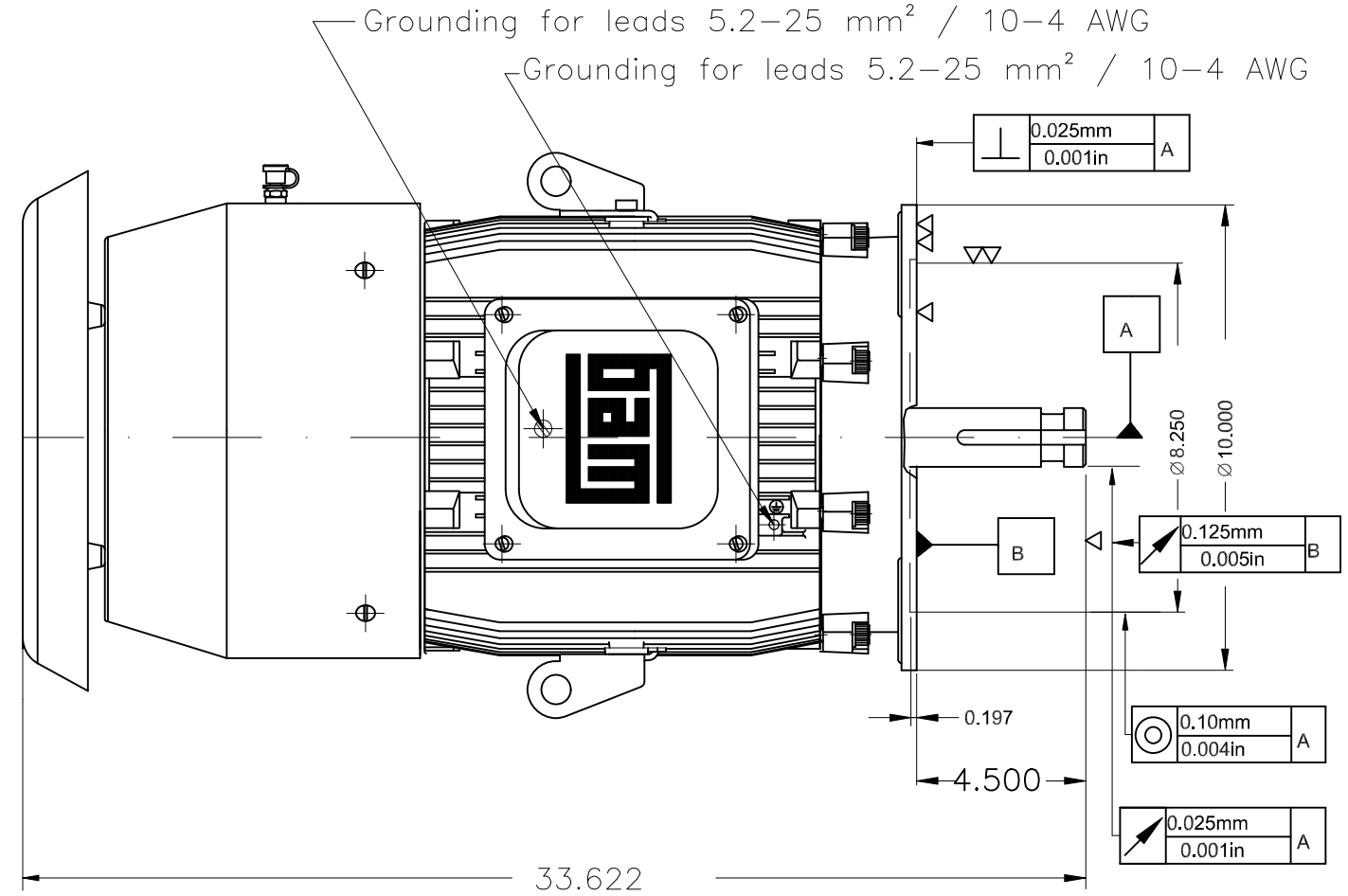
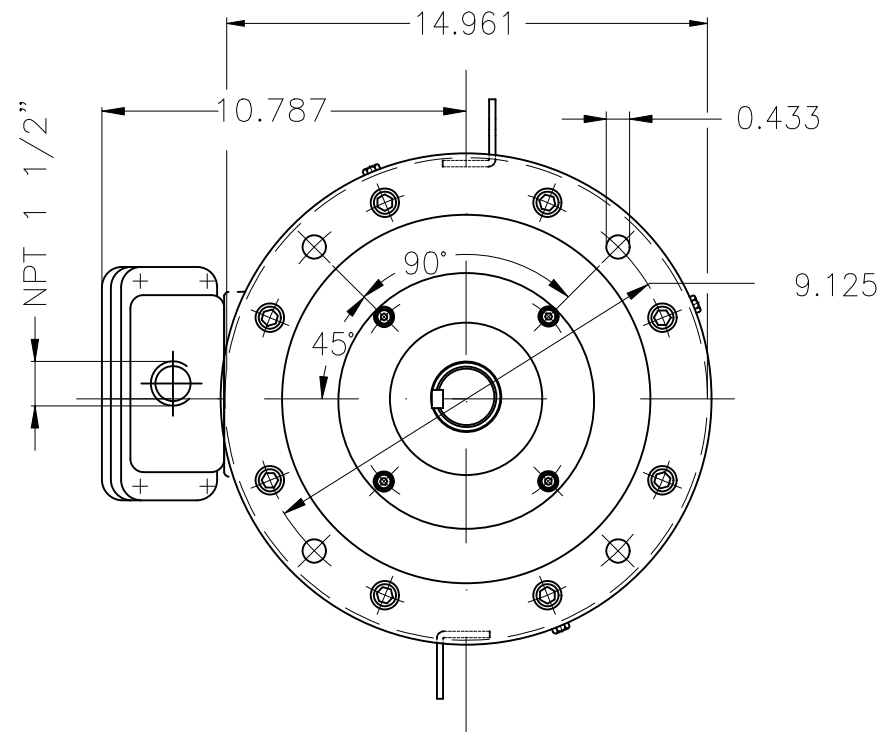
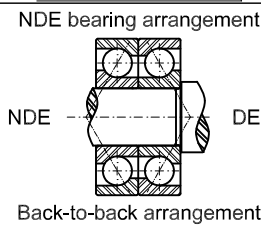
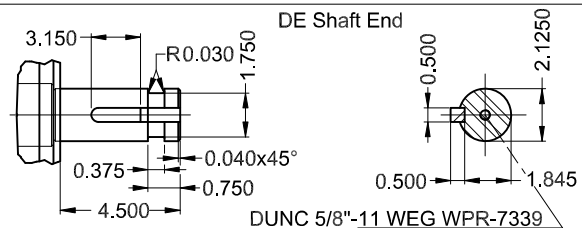


ATENÇÃO/ATTENTION
 MOTOR DEVE SER LIGADO APENAS NA POSIÇÃO VERTICAL
 MOTOR MUST BE ENERGIZED ONLY IN THE VERTICAL POSITION



- Design B
- Type "T" threaded drain plug
- Fan cover - steel plate
- Permatex on the screws
- Special balancing with half key
- Stainless Steel Grease fitting
- Plastic flat plug
- Class F insulation - 80K temperature rise
- Tropicalized internal painting according to IEEE841
- Rotation CW and CCW
- Dipping impregnation - polyester
- Grease outlet according to IEEE841
- Aluminum fan
- Bearing cap
- Certification CSA/UL
- Fan coated with epoxy coating
- Sealing - INPRO/SEAL
- Tirroil oil applied on endshields fittings
- Color RAL 5009
- Painting plan 202E
- Mounting NEMA W-6
- Mounting V1



	Bearing		Lubricant	
	DE	6212	MOBIL POLYREX EM	
NDE	7310BECB	MOBIL POLYREX EM		

30 HP 02 Poles 60 Hz A

NEMSCO - BATON ROUGE

UPD BEARING DETAIL 422550624		SCARMAGNANI	SCARMAGNANI	NOERNBERG	07.02.2025	04		
UPD BEARING DETAIL 422550624		LEDUARDO	JESSICA	JESSICA	06.03.2025	03		
ECM	LOC	SUMMARY OF MODIFICATIONS		EXECUTED	CHECKED	RELEASED	DATE	VER
EXECUTED	SCARMAGNANI	THREE PH. MOTOR IN LINE EXTRA THRUST NEMA PREM. EFF.		1608225560				
CHECKED	GUILHERMEMC	FRAME 286LP IP55 TEFC		WDD		03		
RELEASED	GUILHERMEMC			SHEET		1 / 1		
REL. DATE	07.11.2024	WMO	JARAGUA DO SUL	[Gestao Ordens Exportacao]				