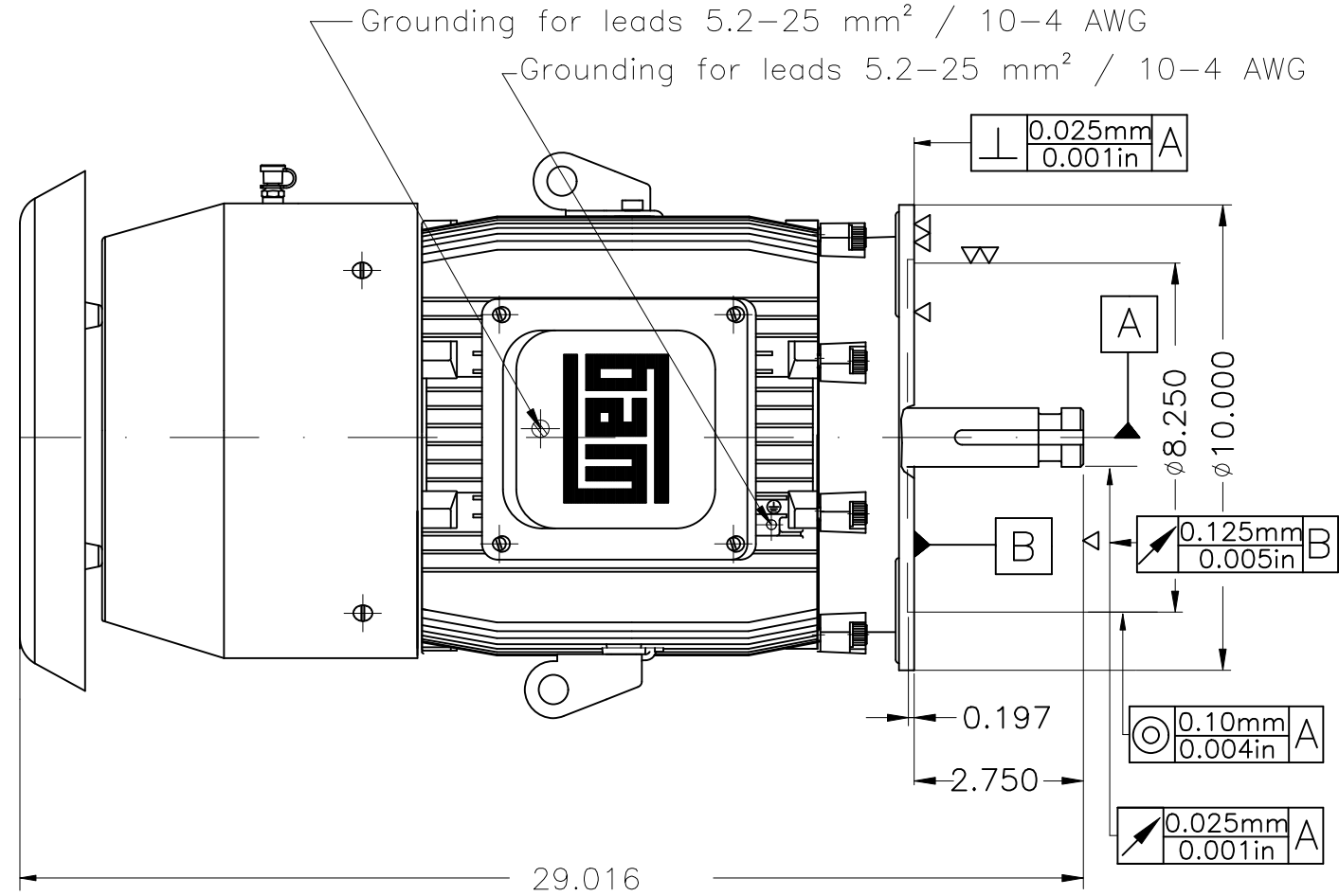
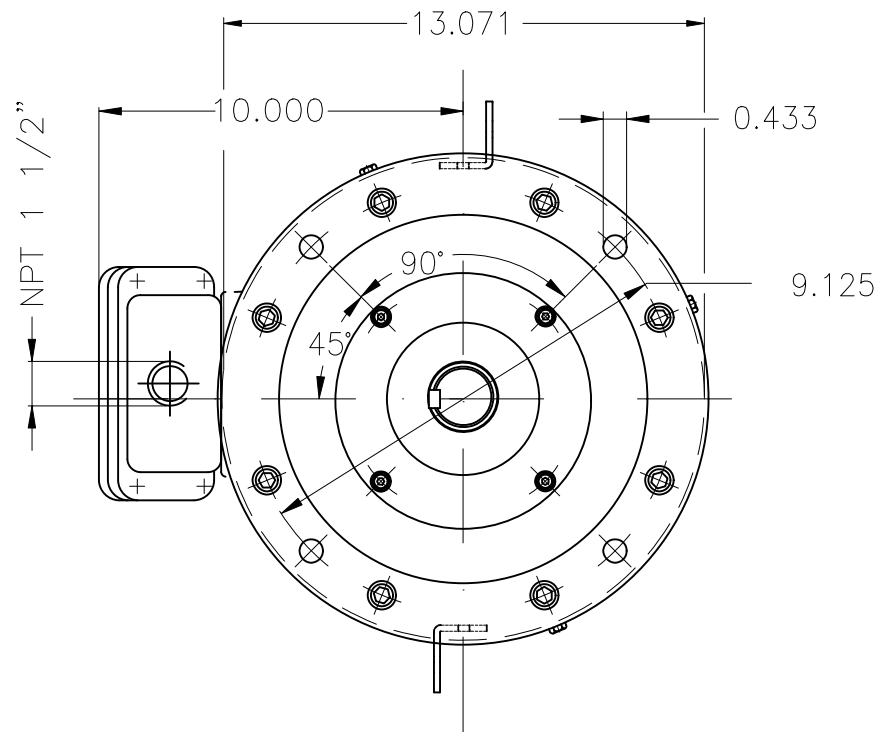
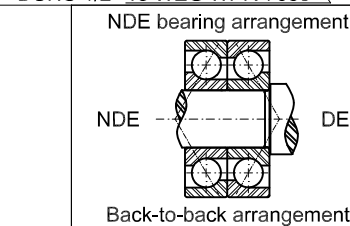
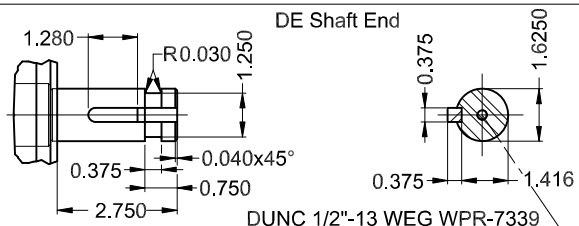


**ATENÇÃO/ATTENTION**  
 MOTOR DEVE SER LIGADO APENAS NA POSIÇÃO VERTICAL  
 MOTOR MUST BE ENERGIZED ONLY IN THE VERTICAL POSITION

Axial thrust direction →



- Type "T" threaded drain plug
- Permatex on the screws
- Special balancing with half key
- Stainless Steel Grease fitting
- Plastic flat plug
- Class F insulation - 80K temperature rise
- Tropicalized internal painting according to IEEE841
- Shaft material - SAE/ABNT 1040/45
- Rotation CW and CCW
- NDE sealing - lip seal
- Grease outlet according to IEEE841
- Bearing cap
- Certification CSA/UL
- Fan coated with epoxy coating
- Sealing - INPRO/SEAL
- Tirroil oil applied on endshields fittings
- Color RAL 5009
- Painting plan 202E
- Mounting NEMA W-6
- Mounting V1



		Bearing		Lubricant			
DE		6309		MOBIL POLYREX EM			
NDE		7309BECB		MOBIL POLYREX EM			
15 HP 02 Poles 60 Hz							
<b>NEMSCO - BATON ROUGE</b>							
422500770/7 - MEC				PIRWUSER	JESSICA	JESSICA	13.03.2025 04
DOCUMENTO NOVO: 422500770				CRANGHETTI	LUCASMD	LUCASMD	16.12.2024 03
ECM	LOC	SUMMARY OF MODIFICATIONS		EXECUTED	CHECKED	RELEASED	DATE VER
EXECUTED	ARLETEDF	THREE PH. MOTOR IN LINE EXTRA THRUST NEMA PREM. EFF.					
CHECKED	GUILHERMEMC	FRAME 254LP IP55 TEFC					
RELEASED	GUILHERMEMC						
REL. DATE	23.10.2024	WMO	JARAGUA DO SUL	[Gestao Ordens Exportacao]	SHEET	1 / 1	

1608469426  
 WDD 04